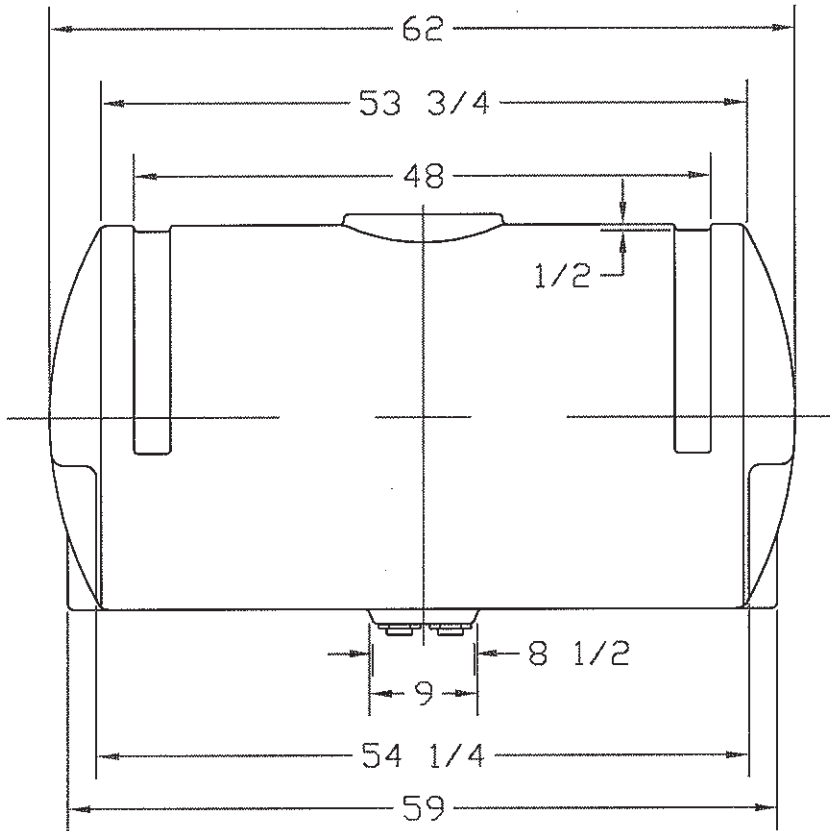
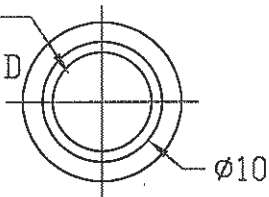
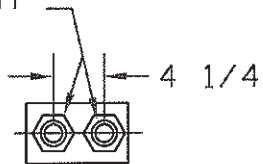


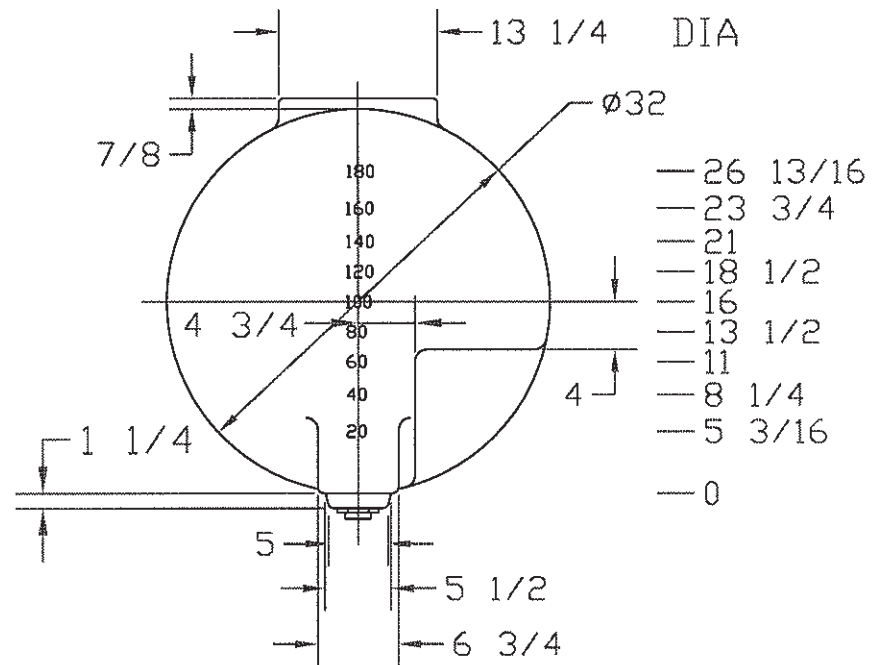
8 1/4" ACME THD
RH, FOR 60002 LID



1-1/4" NPTF



REVISIONS				
ZONE	REV	DESCRIPTION	DATE	APPROVED
	A	REVISED & REDRAWN	22FEB95	
	B	FITTINGS UPDATED	09DEC02	



NORWESCO

ST. BONIFACIUS, MN

200 GALLON X 32 DIA
APPLICATOR TANK

JTP 22FEB95

SIZE
A

FSCM NO.

DWG NO.

REV
B

SCALE 1/16

SHEET