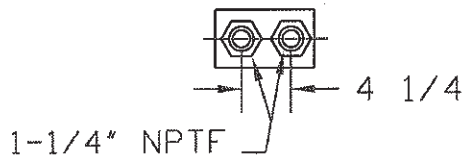
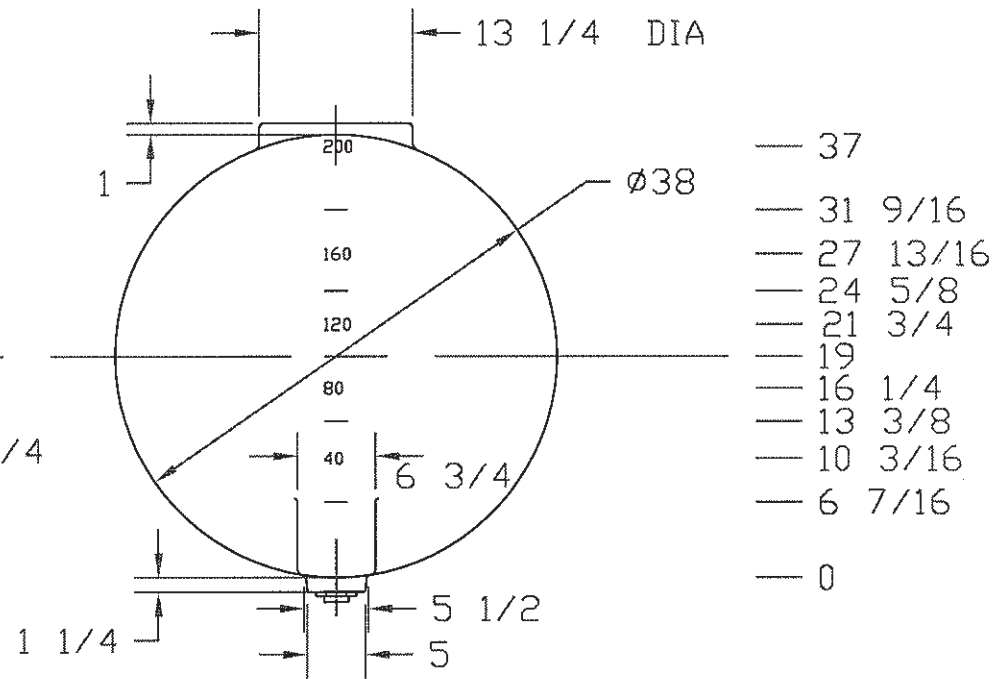
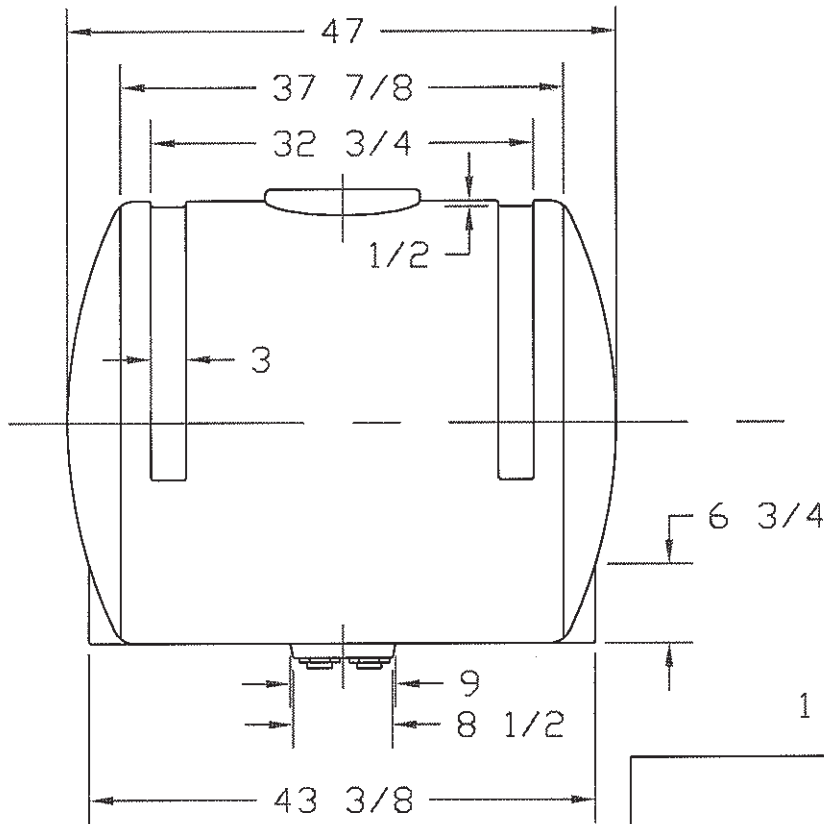


8 1/4 ACME THD,
RH, FOR 60002 LID

REVISIONS				
ZONE	REV	DESCRIPTION	DATE	APPROVED
	A	FITTINGS UPDATED	09DEC02	



JTP 1FEB96				
		ST. BONIFACIUS, MN 200 GALLON X 38 DIA APPLICATOR TANK		
SIZE A	FSCM NO.	DWG NO.	REV A	
SCALE 1/16		SHEET		