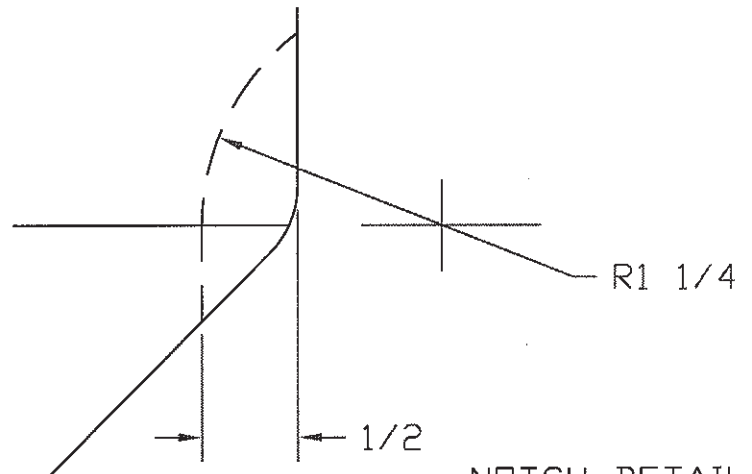
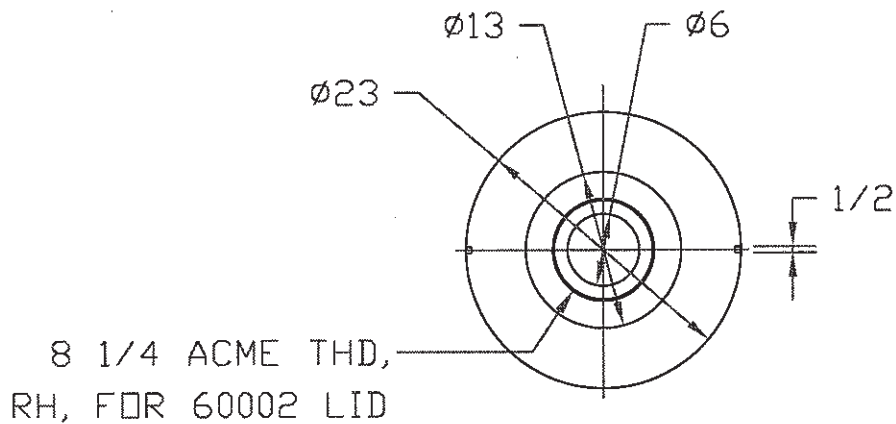
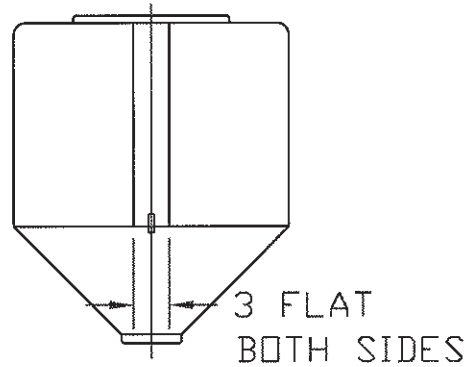
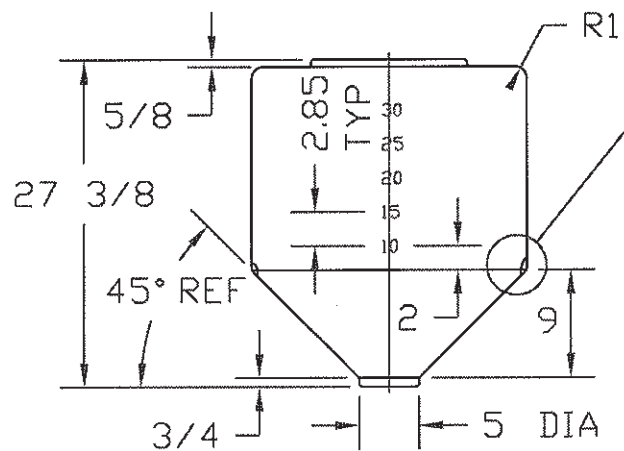


REVISIONS				
ZONE	REV	DESCRIPTION	DATE	APPROVED
	A	REDRAWN	18AUG97	



NOTCH DETAIL
FULL SCALE



JTP 18AUG97				
		ST. BONIFACIUS, MN 35 GALLON INDUCTOR TANK		
SIZE A	FSCM NO.	DWG NO.	REV A	
SCALE 1/16		SHEET		