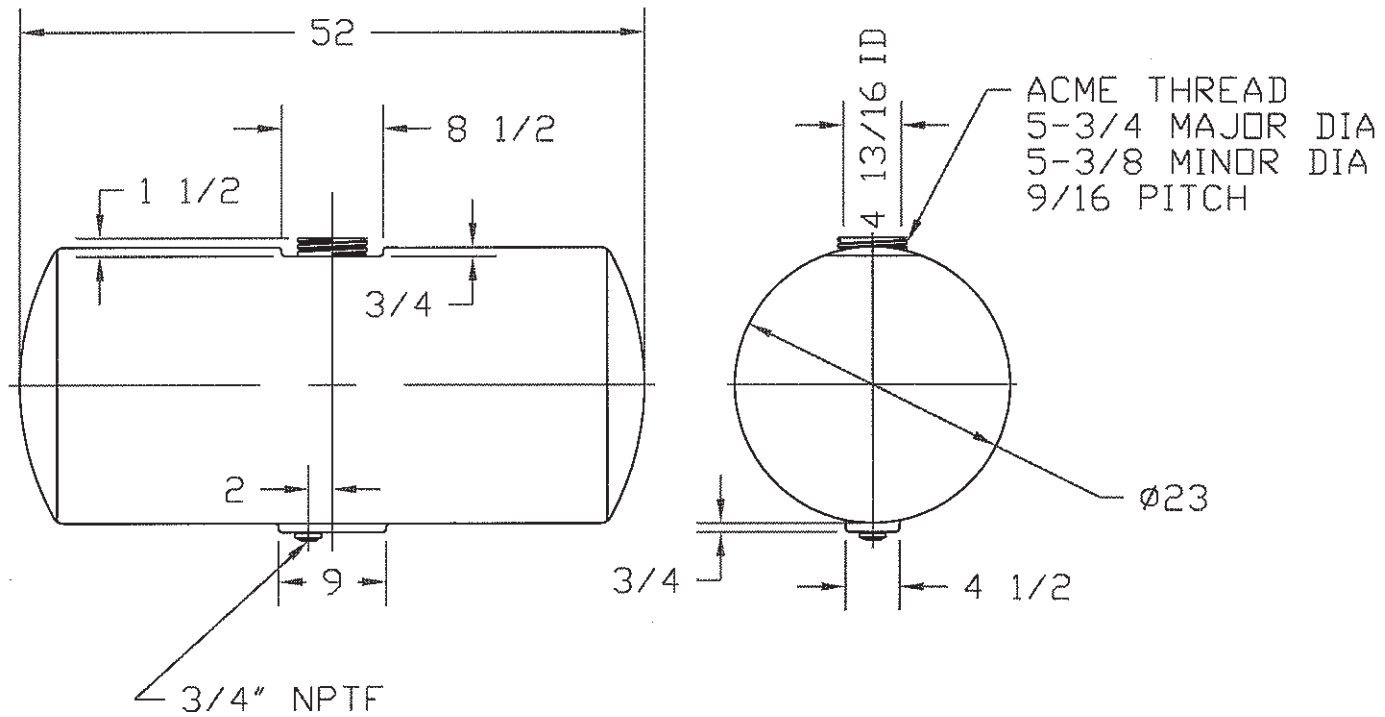


REVISIONS				
ZONE	REV	DESCRIPTION	DATE	APPROVED
	A	LID THREAD REVISED	23FEB00	



		ST. BONIFACIUS, MN 85 GALLON APPLICATOR TANK			
JTP	200CT97	SIZE A	FSCM NO.	DWG NO.	REV
		SCALE 1/16			SHEET