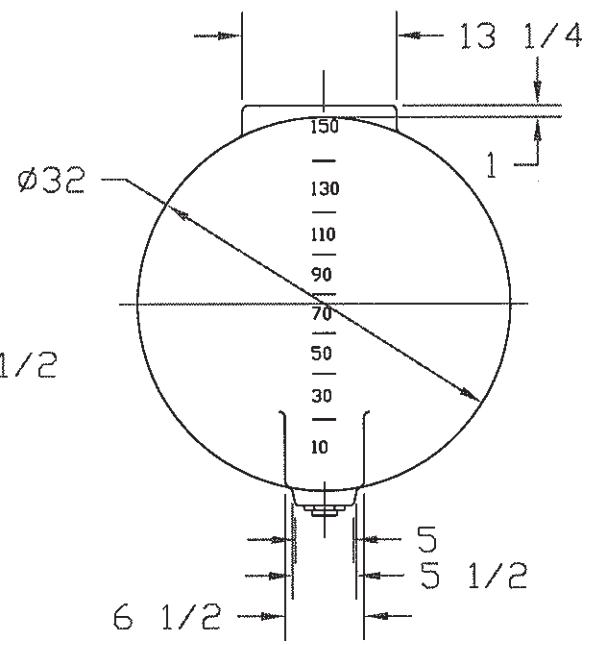
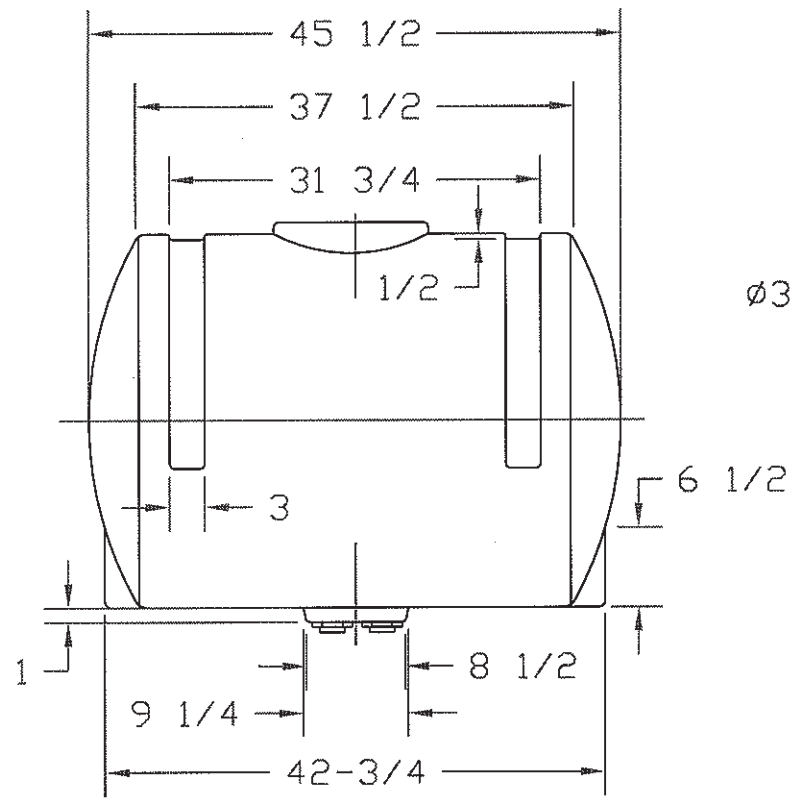
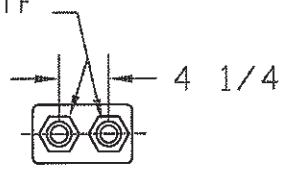


8 1/4 ACME THD,  
RH, FOR 60002 LID



- \_\_\_\_\_ 31 1/4
- \_\_\_\_\_ 28 1/4
- \_\_\_\_\_ 25 29/32
- \_\_\_\_\_ 23 7/8
- \_\_\_\_\_ 22
- \_\_\_\_\_ 20 1/4
- \_\_\_\_\_ 18 17/32
- \_\_\_\_\_ 16 27/32
- \_\_\_\_\_ 15 5/32
- \_\_\_\_\_ 13 15/32
- \_\_\_\_\_ 11 3/4
- \_\_\_\_\_ 10
- \_\_\_\_\_ 8 1/8
- \_\_\_\_\_ 6 3/32
- \_\_\_\_\_ 3 3/4
- \_\_\_\_\_ 0

1-1/4" NPTF



REVISIONS				
ZONE	REV	DESCRIPTION	DATE	APPROVED
	A	FITTINGS UPDATED	08NOV02	

JTP 30MAY95				
		ST. BONIFACIUS, MN 150 GALLON X 32 DIA APPLICATOR TANK		
SIZE A	FSCM NO.	DWG NO.	REV A	
SCALE 1/16		SHEET		