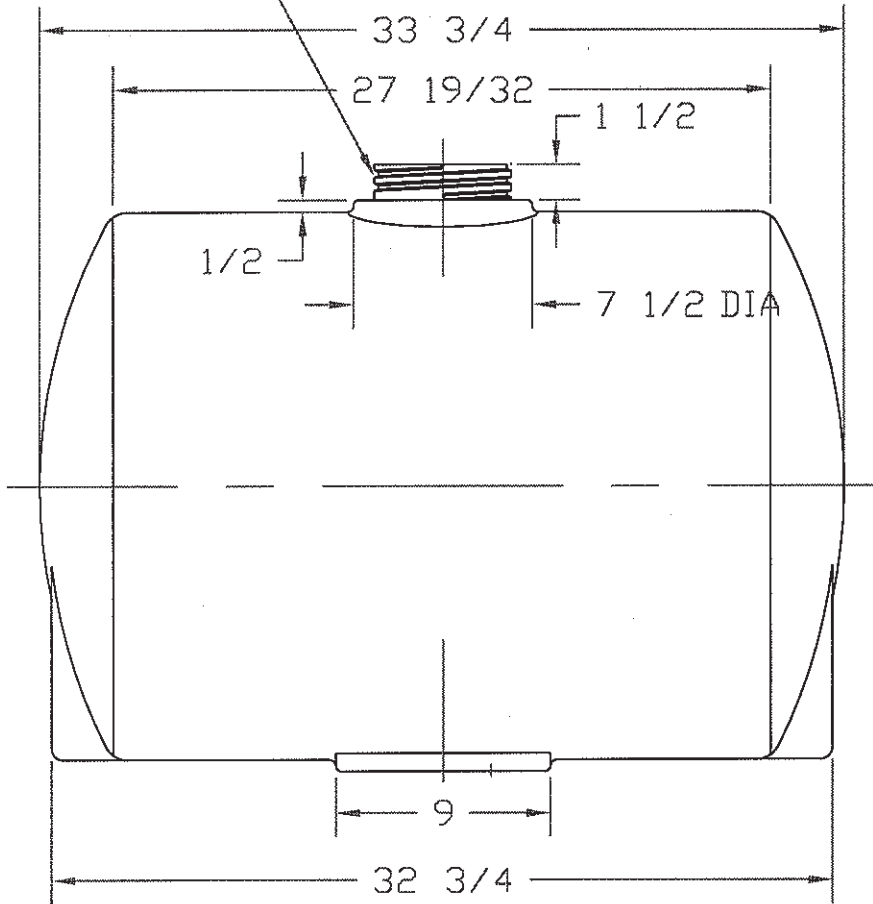
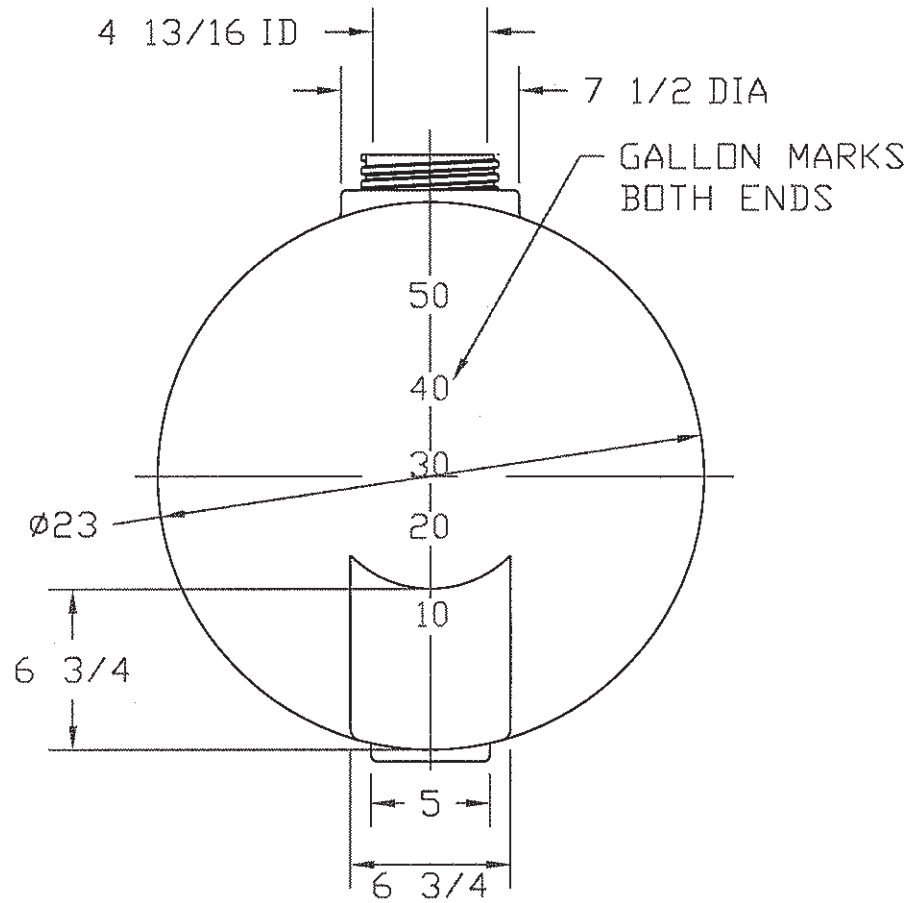


ACME THREAD  
 5-3/4 MAJOR DIA  
 5-3/8 MINOR DIA  
 9/16 PITCH



REVISIONS				
ZONE	REV	DESCRIPTION	DATE	APPROVED
	A	REDRAWN	16MAY97	
	B	LID THREAD REVISED	09FEB00	



		<b>NORWESCO</b>		
		ST. BONIFACIUS, MN		
JTP 16MAY97		55 GALLON APPLICATOR TANK		
		SIZE A	FSCM NO.	DWG NO.
		SCALE 1/8	SHEET	REV B