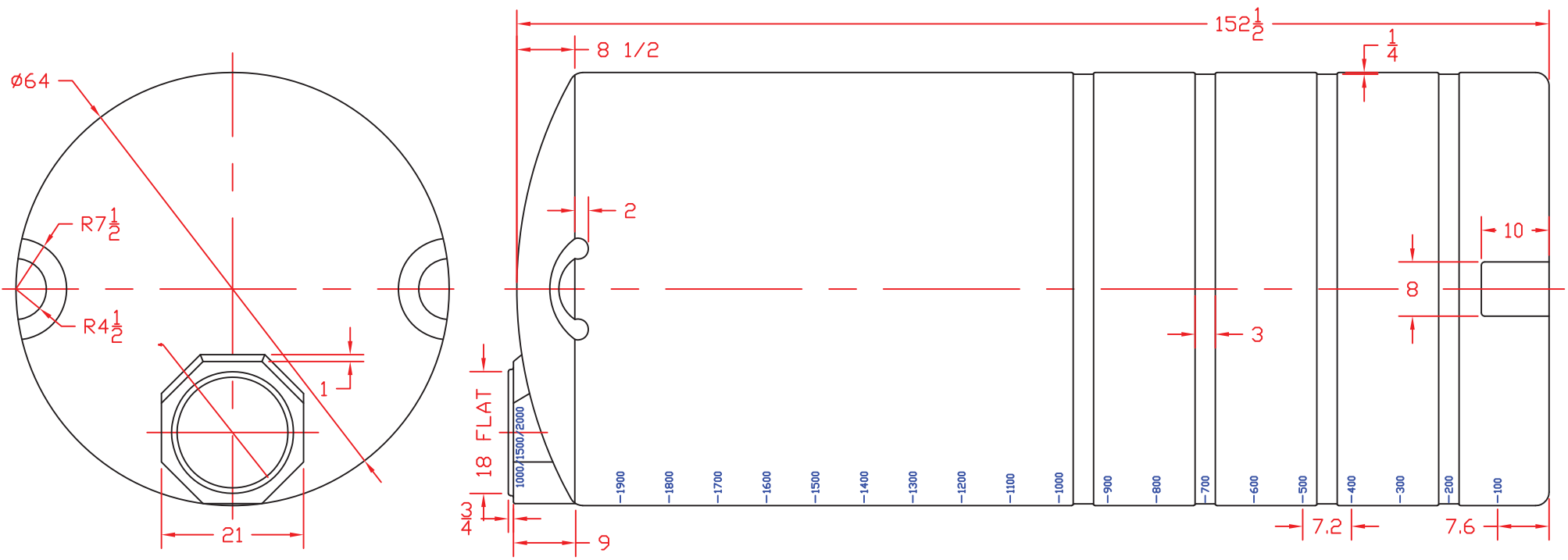



REVISIONS				
ZONE	REV	DESCRIPTION	DATE	APPROVED



JTP 12MAR01		 ST. BONIFACIUS, MN		
		2000 GALLON VERTICAL STORAGE TANK		
SIZE B	FSCM NO.	DWG NO.	REV	
SCALE 1/16		SHEET		