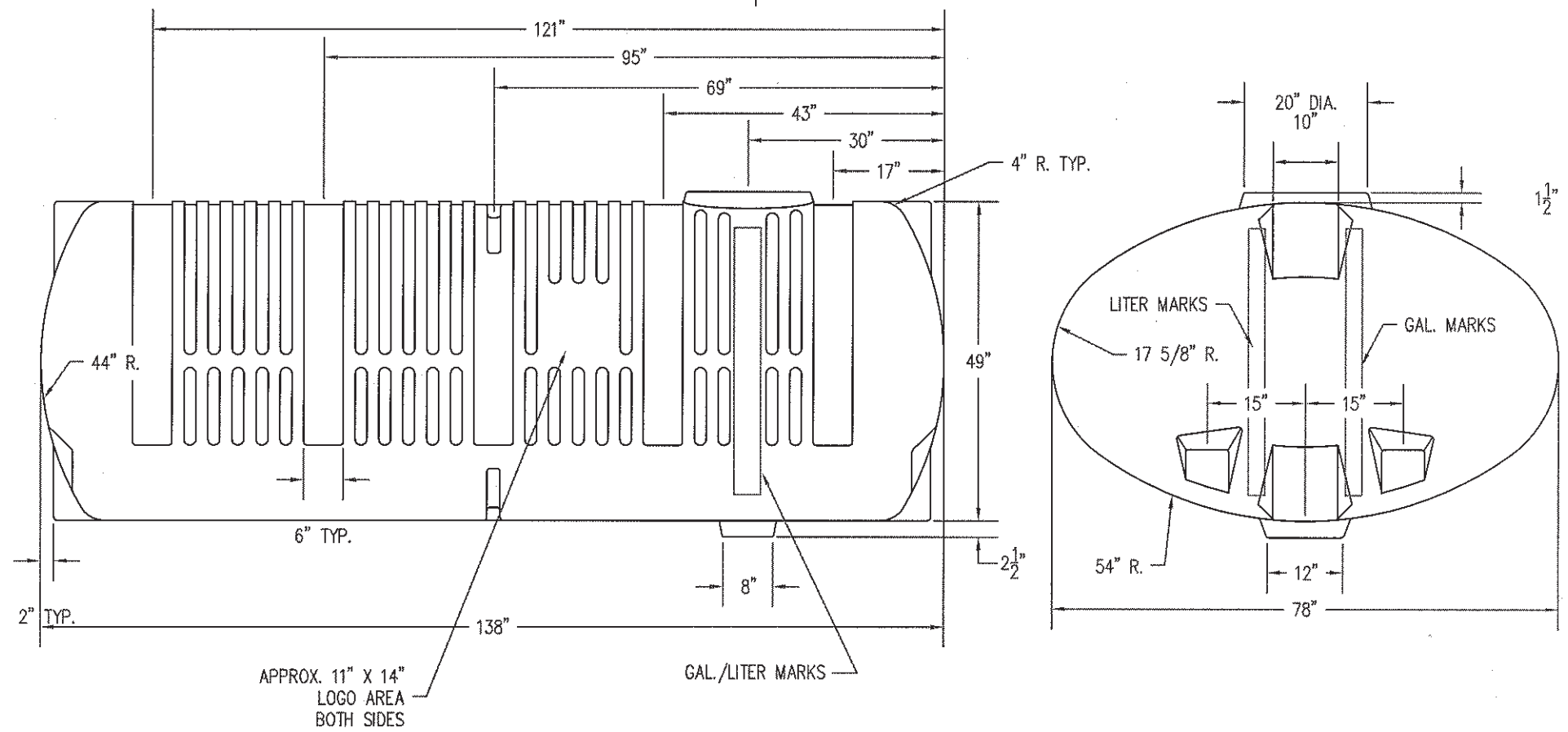



REVISIONS				
ZONE	REV	DESCRIPTION	DATE	APPROVED



JTP 14JUL03		 NORWESCO ST. BONIFACIUS, MN 1600 GALLON ELLIPTICAL TANK		
		SIZE A	FSCM NO.	DWG NO.
SCALE 1/24		SHEET		