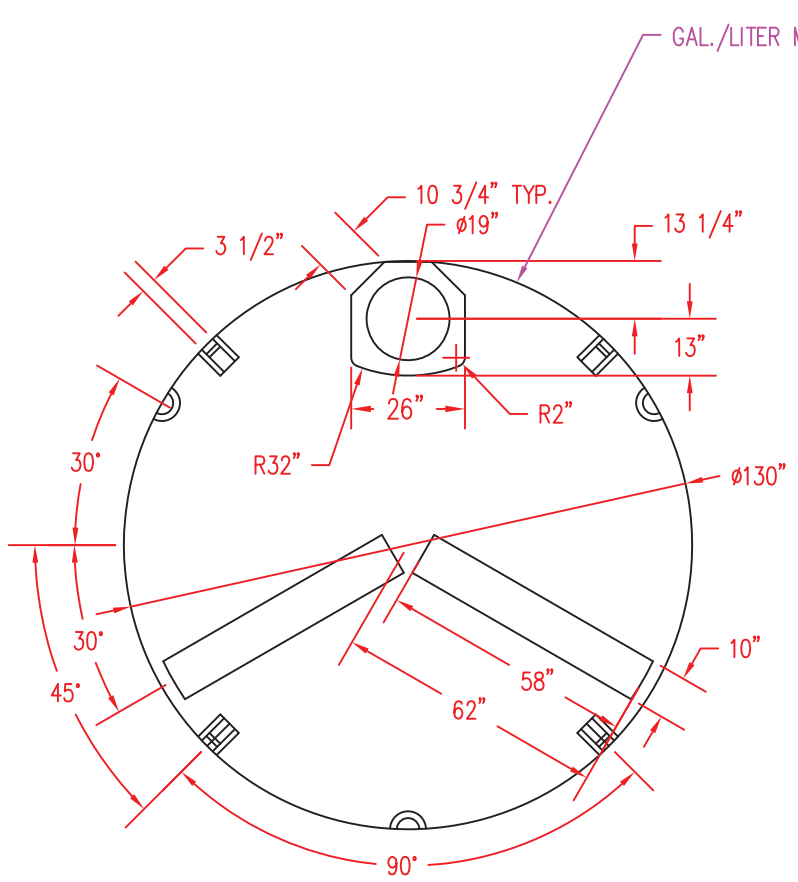
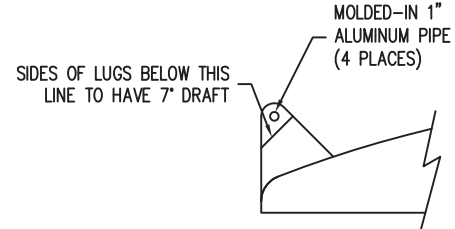
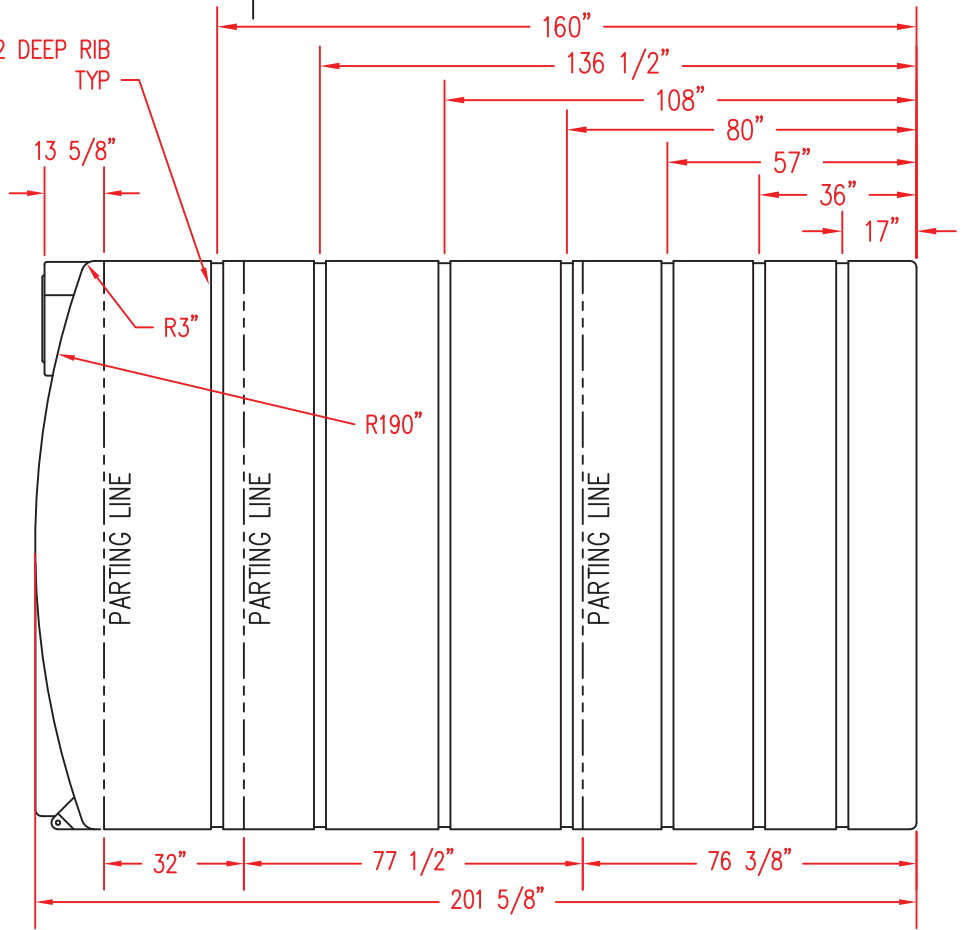


REVISIONS				
ZONE	REV	DESCRIPTION	DATE	APPROVED



2 3/4 X 1/2 DEEP RIB TYP



LIFT LUG/TIE-DOWN DETAIL  
SCALE 1:16

JTP 24JUL03				
		ST. BONIFACIUS, MN 10,500 GALLON VERTICAL STORAGE TANK		
SIZE B	FSCM NO.	DWG NO.	REV	
SCALE 1/32		SHEET		