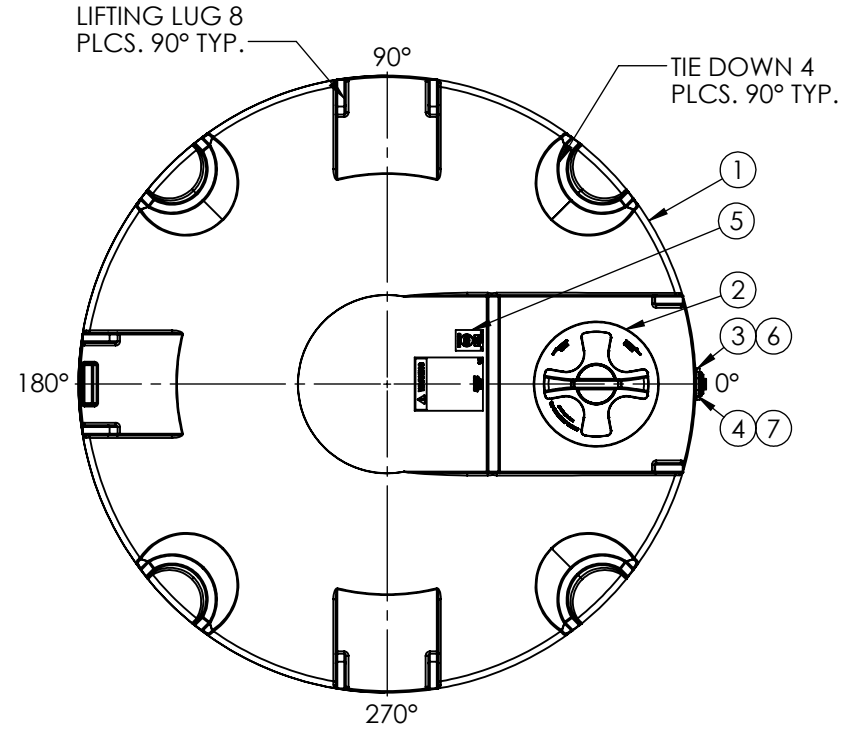
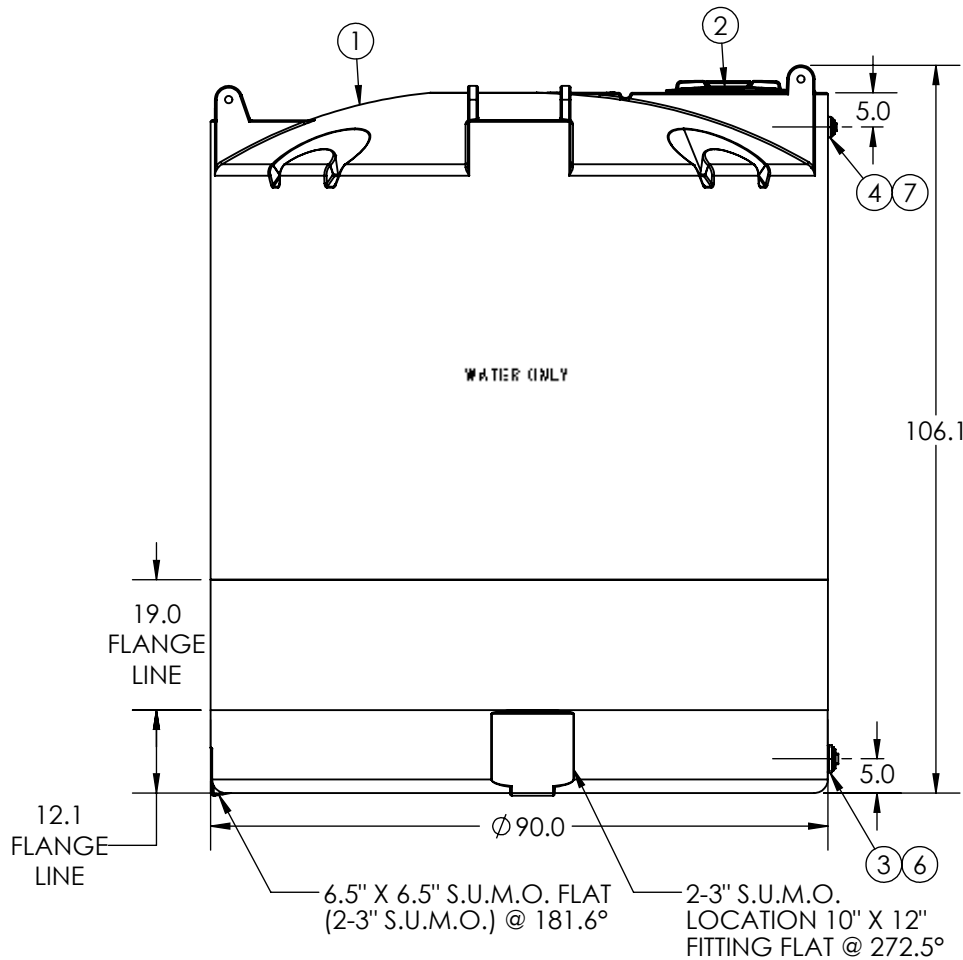


BLACK OR DARK OLIVE GREEN

PART NUMBER

5090000W94203	ASM TK 2500 VDT X 90 HD/BLK WATER
5090000W99803	ASM TK 2500 VDT X 90 HD/GDO WATER



7	1	64149	1-1/2" NPT PLUG
6	1	60021	2" NPT PLUG
5	1	99700231	DECAL NSF MARK - WATER TKS
4	1	63931	FTG PP 1-1/2IN ECO-BH EPDM TXT
3	1	60405	FTG PP 2IN BH EPDM TXT
2	1	34700087	ASM MANWAY 18IN PE W/4IN VENT W/TIE SII
1	1	5090000W__02	ASM TK 2500VDT X 90 WATER NH NOMW

***ALL EXTERNAL PIPING MUST BE INDEPENDENTLY SUPPORTED.**
***ONLY BASE FITTINGS TO BE LEFT INSTALLED AT TIME OF SHIPMENT PER SII PROCEDURE.**
***Consult Snyder's Guidelines for Use and Installation prior to delivery.**
 Available on-line at <http://www.snyderindustriestanks.com/Technical>

ALL DIMENSIONS ARE IN INCHES, NOMINAL, & SUBJECT TO CHANGE WITHOUT NOTICE.
ALL DIMENSIONS ON ROTATIONAL MOLDED PARTS ARE SUBJECT TO A ± 3% TOLERANCE.

DO NOT SCALE		DRAWN BY		TITLE:		REVISION	
Released		SB		ASM TK 2500VDT X 90 WATER		A	
© SNYDER INDUSTRIES INC., 2016				(402) 467-5221 www.snyderinet.com		SHEET 1 OF 1	
PART NO.		ENG. ID.		SEE CHART		D006493	