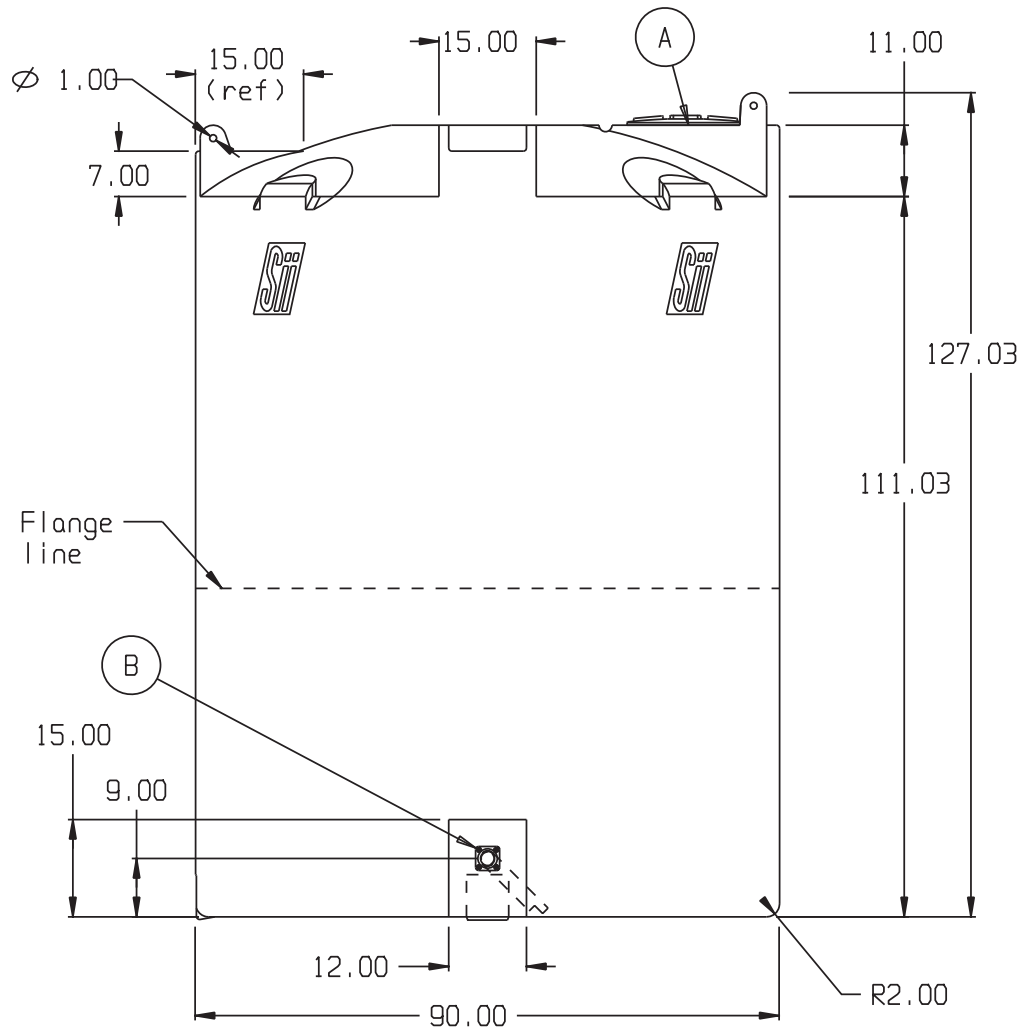
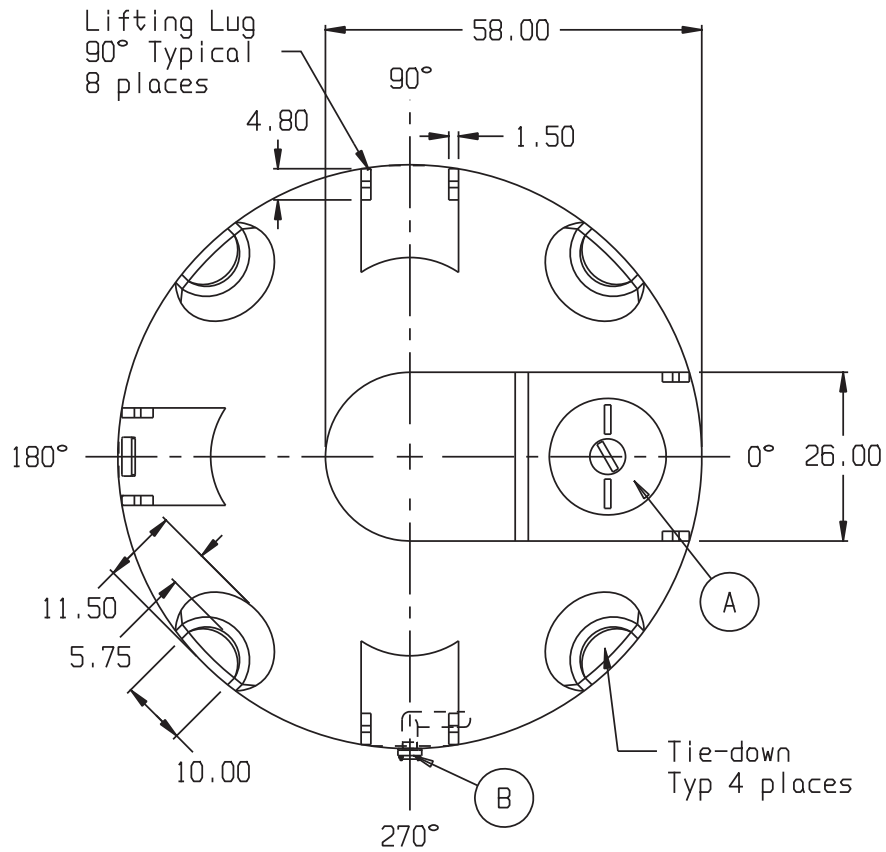


WATER



SNYDER INDUSTRIES INC.

- A. 18" PE THREADED-VENTED MANWAY W/15" ACCESS [P/N 34300012L]
- B. 2" PP/PE BOLTED FTG SIPHON TUBE ASSY W/EPDM GASKETS & SS BOLTS [P/N 34700841L]

* BASE FITTINGS TO BE LEFT INSTALLED AT TIME OF SHIPMENT PER SII PROCEDURE
 * Consult Snyder's Guidelines for Use and Installation prior to delivery.
 Available on-line at www.snydernet.com

(all dimensions in inches)
 PART # TANK: 513000W94302 (L)
 HDLPE/NAT/WATER

3,000 GALLON FLAT BOTTOM TANK

REF#: 0000 04/17/07