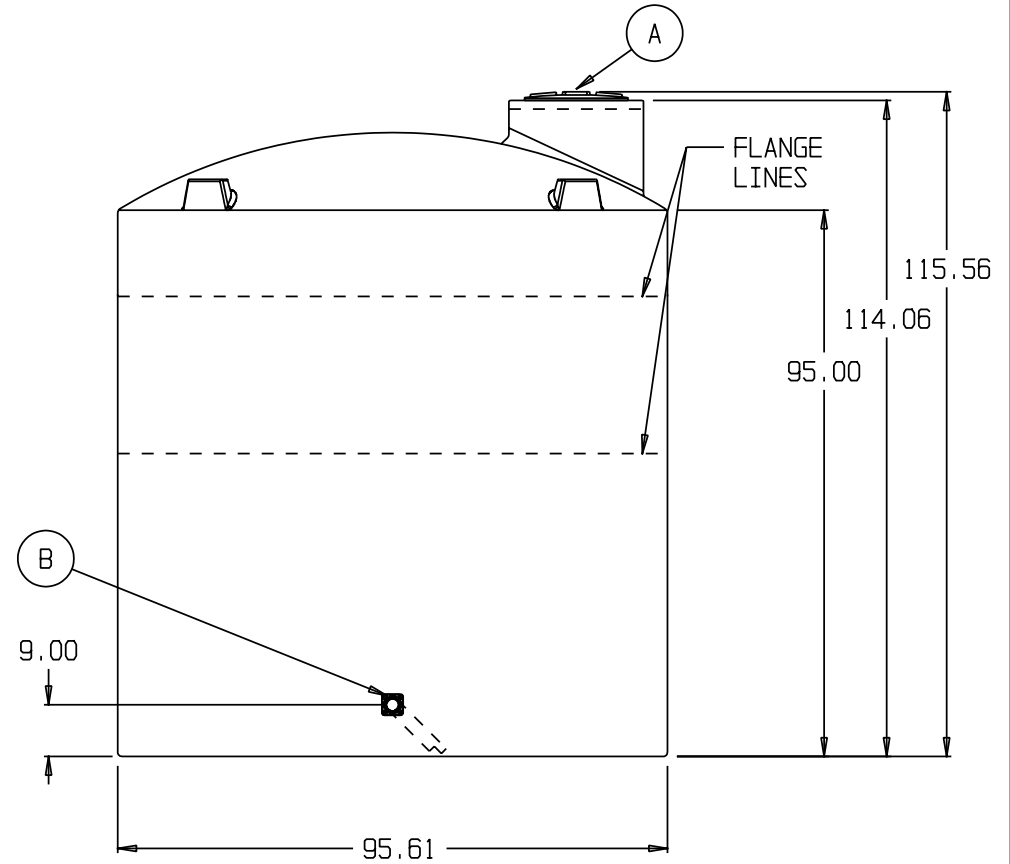
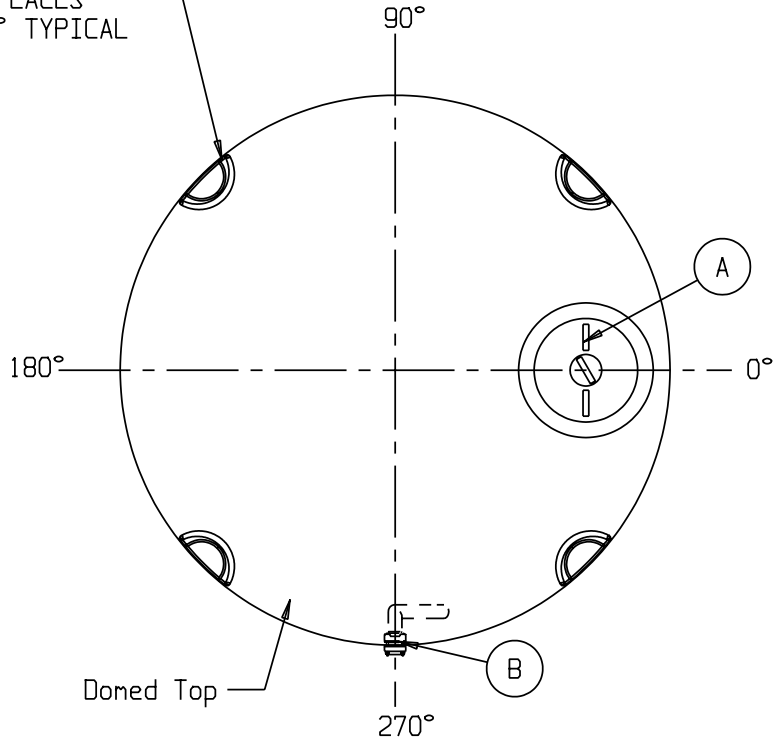


# WATER

SNYDER INDUSTRIES INC.

TIE-DOWN  
4 PLACES  
90° TYPICAL



- A. 18" PE THREADED-VENTED MANWAY W/15" ACCESS [P/N 34700087]
- B. 2" PE BOLTED FTG SIPHON TUBE ASSY W/EPDM GASKETS & SS BOLTS [P/N 34700841]

\* BASE FITTINGS TO BE LEFT INSTALLED AT TIME OF SHIPMENT PER SII PROCEDURE  
 \* Consult Snyder's Guidelines for Use and Installation prior to delivery.  
 Available on-line at [www.snyder.net.com](http://www.snyder.net.com)

(all dimensions in inches)

PART # TANK: 5130200W943xx (C)  
 HDLPE/NAT/WATER

REF#: 0000

04/27/07

## 3,000 GALLON WATER TANK