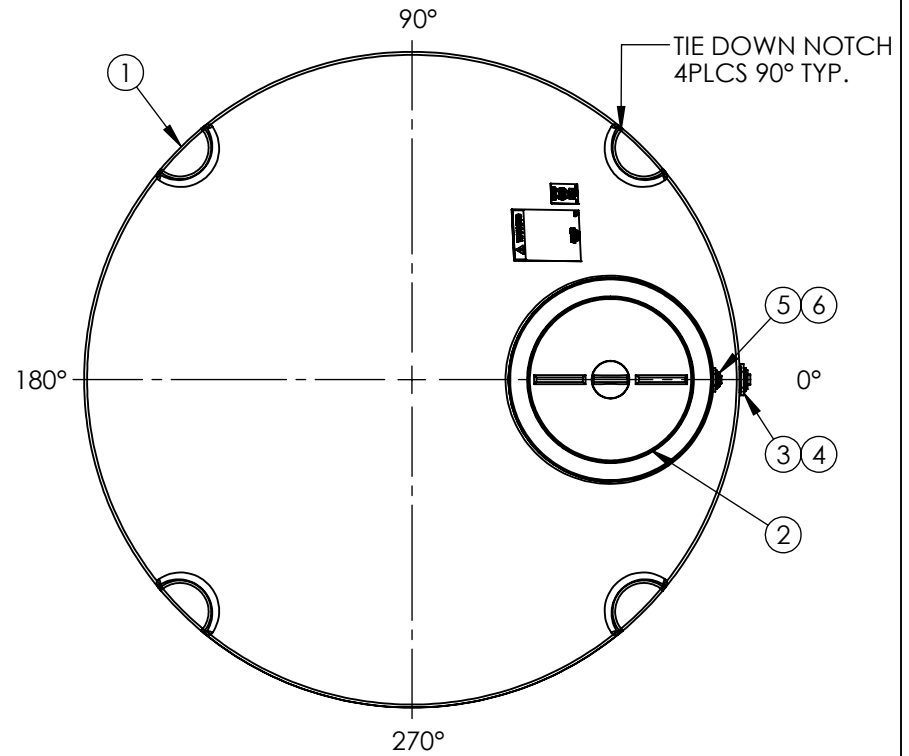
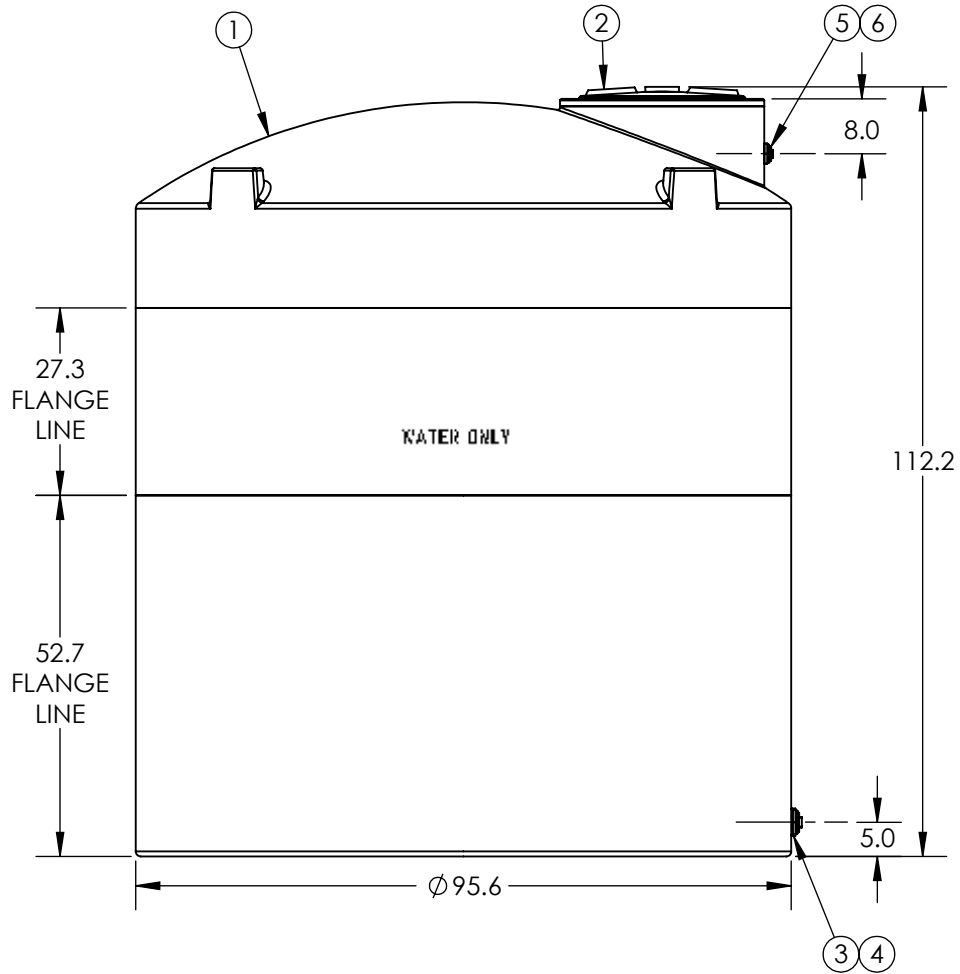


BLACK OR DARK OLIVE GREEN



7	1	99700231	DECAL NSF MARK - WATER TKS
6	1	64149	1-1/2" NPT PLUG
5	1	63931	FTG PP 1-1/2IN ECO-BH EPDM TXT
4	1	60021	2" NPT PLUG
3	1	60405	FTG PP 2IN BH EPDM TXT
2	1	34700352	ASM MANWAY PE 24IN VENTED
1	1	5130200W__02	ASM TK 3000 VDT X 96 WATER NH NOMW

ITEM NO.	QTY.	PART NUMBER	DESCRIPTION
DO NOT SCALE		DRAWN BY	REVISION
STATUS: Released		SB	A
© SNYDER INDUSTRIES INC., 2016			TITLE: ASM TK 3000VDT X 96 WATER
ALL DIMENSIONS, DESIGNS, AND INFORMATION ON THIS PRINT MUST BE CONSIDERED PROPRIETARY TO SNYDER INDUSTRIES, INC. AND MAY NOT BE USED, COPIED, OR DISTRIBUTED WITHOUT WRITTEN PERMISSION OF AN OFFICER (OR HIS AGENT) OF THE FIRM.			
		(402) 467-5221 www.snyderinet.com	PART NO. 5130200W__03 ENG. ID. D006349

***ALL EXTERNAL PIPING MUST BE INDEPENDENTLY SUPPORTED.**
***ONLY BASE FITTINGS TO BE LEFT INSTALLED AT TIME OF SHIPMENT PER SII PROCEDURE.**
***Consult Snyder's Guidelines for Use and Installation prior to delivery.**
 Available on-line at <http://www.snyderindustriestanks.com/Technical>
ALL DIMENSIONS ARE IN INCHES, NOMINAL, & SUBJECT TO CHANGE WITHOUT NOTICE.
ALL DIMENSIONS ON ROTATIONAL MOLDED PARTS ARE SUBJECT TO A ± 3% TOLERANCE.