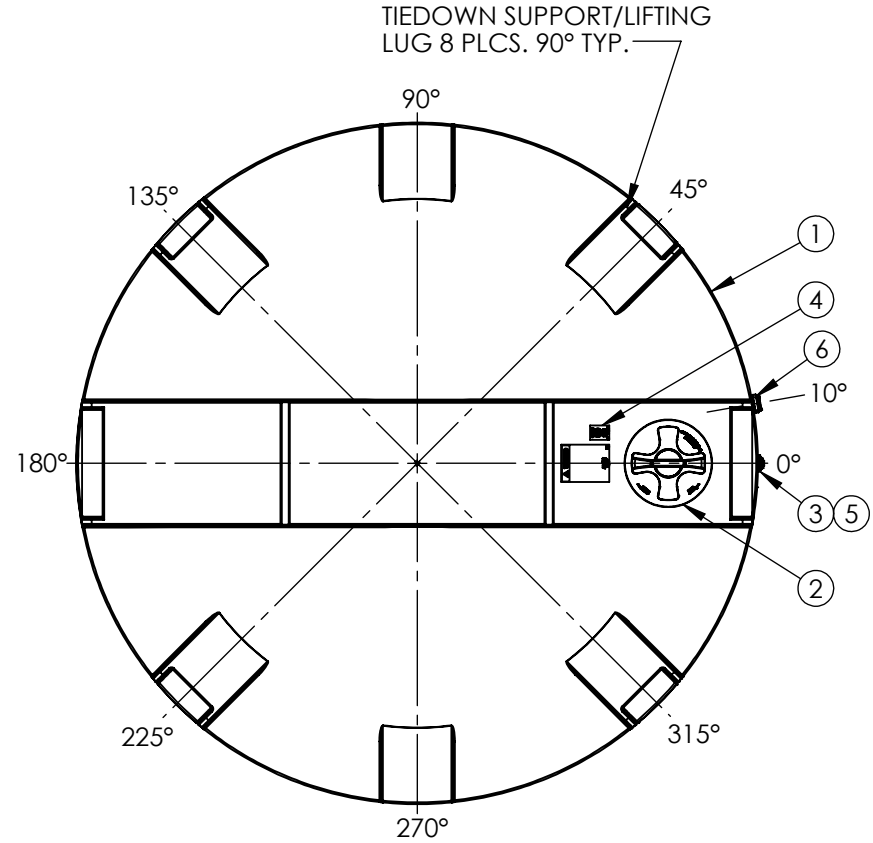
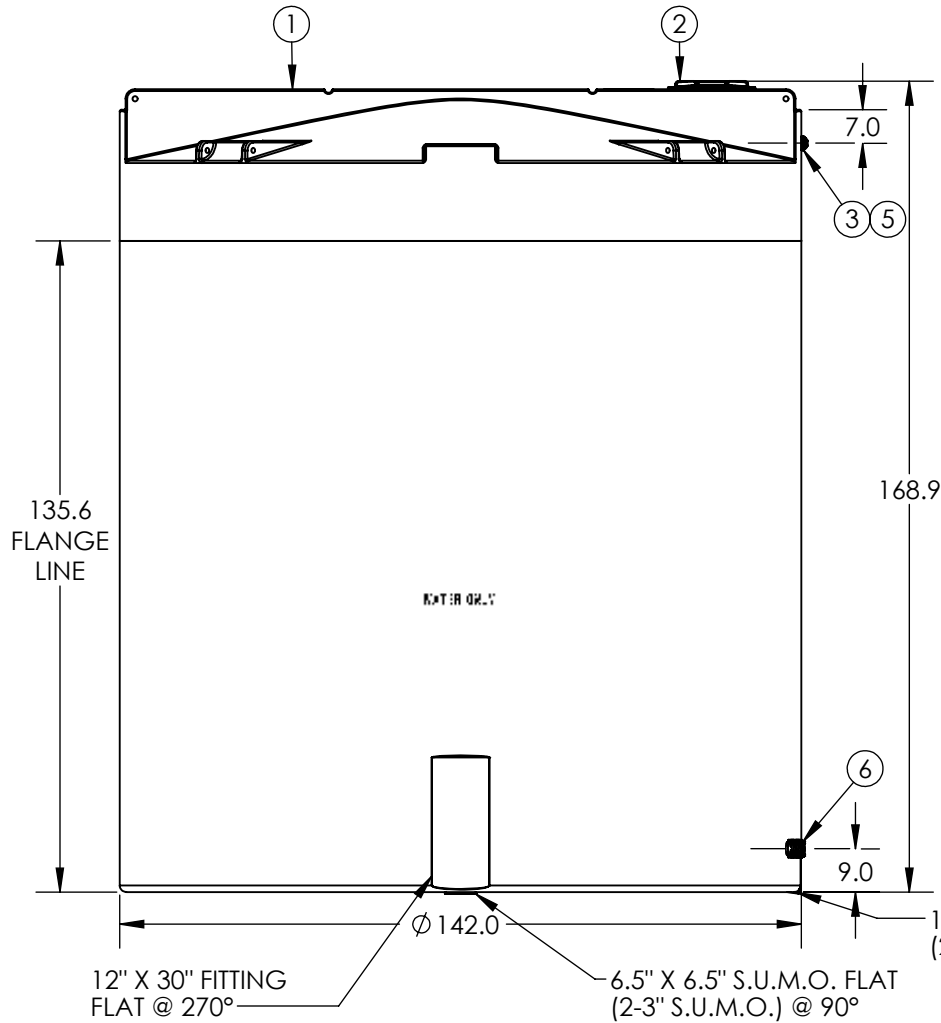


BLACK OR DARK OLIVE GREEN



10" X 10" S.U.M.O. FLAT
(2-6" S.U.M.O.) @ 0°

6	1	34100369	FTG PP 2IN BLTD EPDM BJO#BF235 LONG
5	1	64149	1-1/2" NPT PLUG
4	1	99700231	DECAL NSF MARK - WATER TKS
3	1	63931	FTG PP 1-1/2IN ECO-BH EPDM TXT
2	1	34700087	ASM MANWAY 18IN PE W/4IN VENT W/TIE SII
1	1	5330000W__02	ASM TK 10500VDT X 142 NH NOMW

ITEM NO.	QTY.	PART NUMBER	DESCRIPTION
DO NOT SCALE		DRAWN BY	REVISION
STATUS: Released		SB	B
© SNYDER INDUSTRIES INC., 2016			TITLE: ASM TK 10500VDT X 142 WATER
ALL DIMENSIONS, DESIGNS, AND INFORMATION ON THIS PRINT MUST BE CONSIDERED PROPRIETARY TO SNYDER INDUSTRIES, INC. AND MAY NOT BE USED, COPIED, OR DISTRIBUTED WITHOUT WRITTEN PERMISSION OF AN OFFICER (OR HIS AGENT) OF THE FIRM.			SHEET 1 OF 1
PART NO. 5330000W__03		ENG. ID. D006402	

***ALL EXTERNAL PIPING MUST BE INDEPENDENTLY SUPPORTED.**
***ONLY BASE FITTINGS TO BE LEFT INSTALLED AT TIME OF SHIPMENT PER SII PROCEDURE.**
***Consult Snyder's Guidelines for Use and Installation prior to delivery.**
 Available on-line at <http://www.snyderindustriestanks.com/Technical>
ALL DIMENSIONS ARE IN INCHES, NOMINAL, & SUBJECT TO CHANGE WITHOUT NOTICE.
ALL DIMENSIONS ON ROTATIONAL MOLDED PARTS ARE SUBJECT TO A ± 3% TOLERANCE.

SNI SNYDER INDUSTRIES, INC.
 (402) 467-5221
www.snyderinet.com