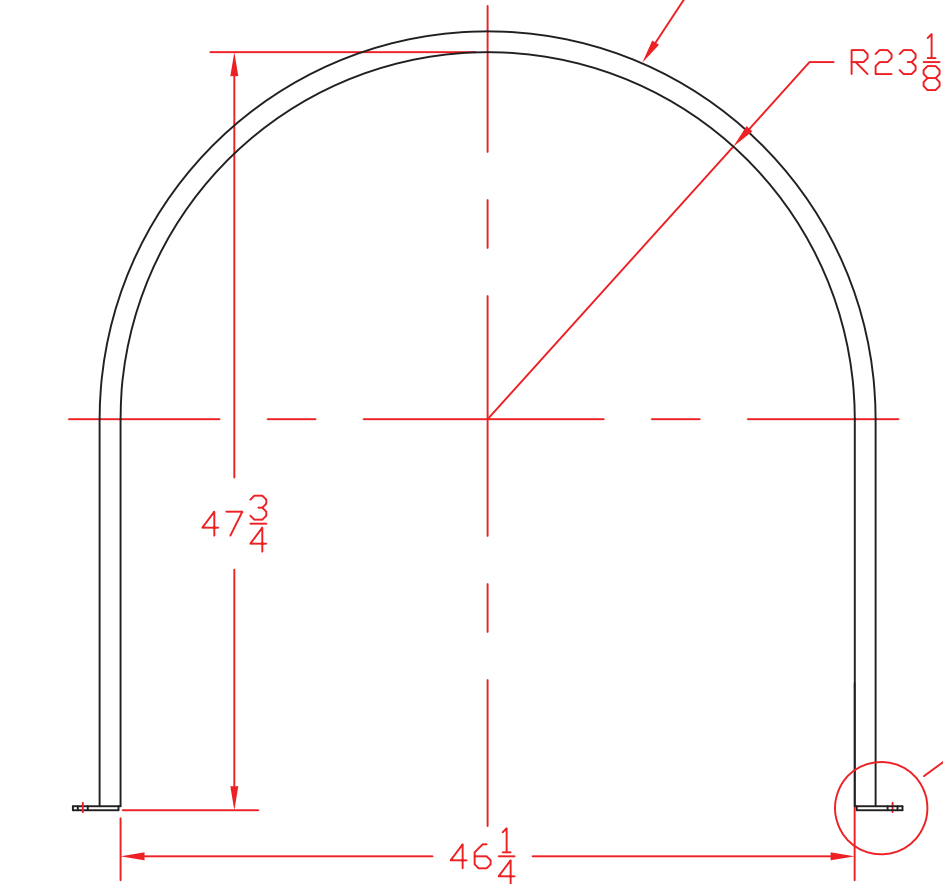
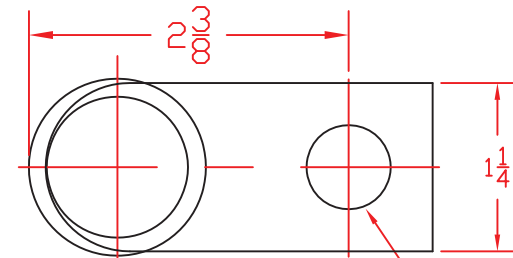


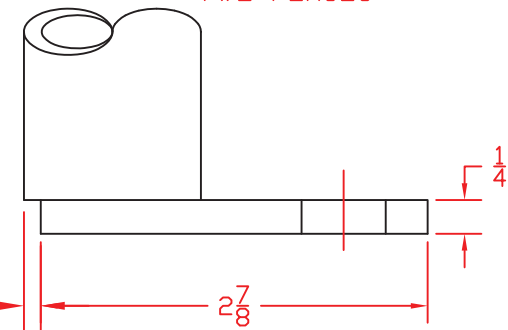
1" PIPE (1.31" OD) W/ .120" WALL



REVISIONS				
ZONE	REV	DESCRIPTION	DATE	APPROVED
	A	REDRAWN	10SEP97	
	B	REVISED & REDRAWN	14JAN04	



5/8 DIA
TWO PLACES



FULL SCALE DETAIL

NOTE: WELD WITH LOW HYDROGEN ROD
FINISH: HOT DIPPED GALVANIZED

THIS DRAWING MODIFIED WITH
NARROWER FOOT.

		ST. BONIFACIUS, MN		
		BAND, 425, 525, 725, & 1025 GAL. HORIZ. TANKS		
JTP	14JAN04	SIZE A	FSCM NO.	DWG NO. 60057
		SCALE 1/12	SHEET	
				REV B