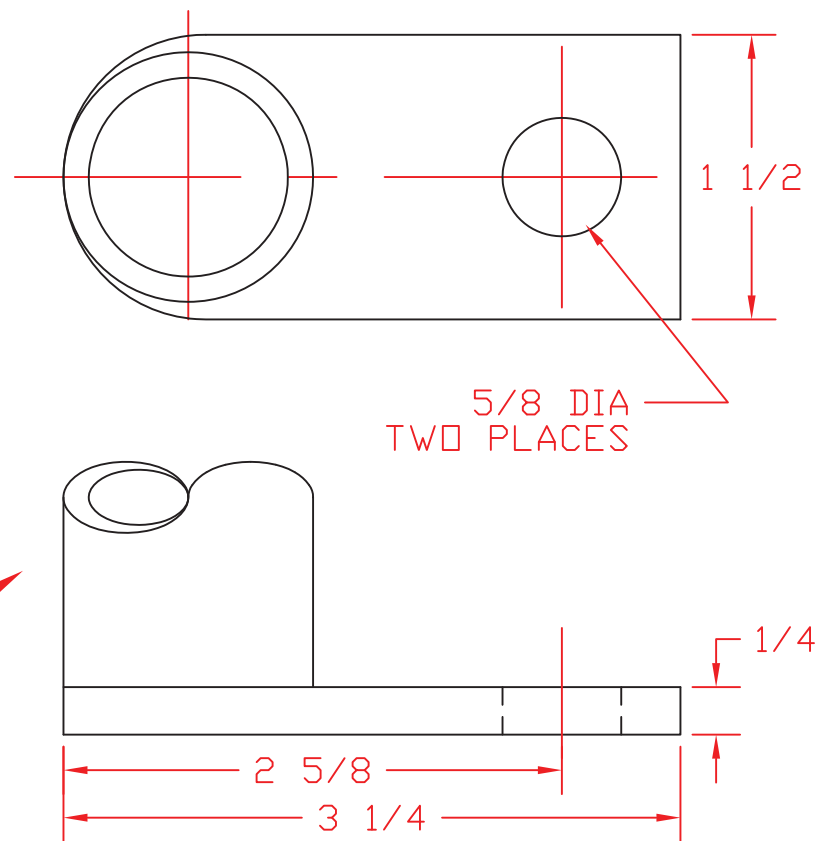
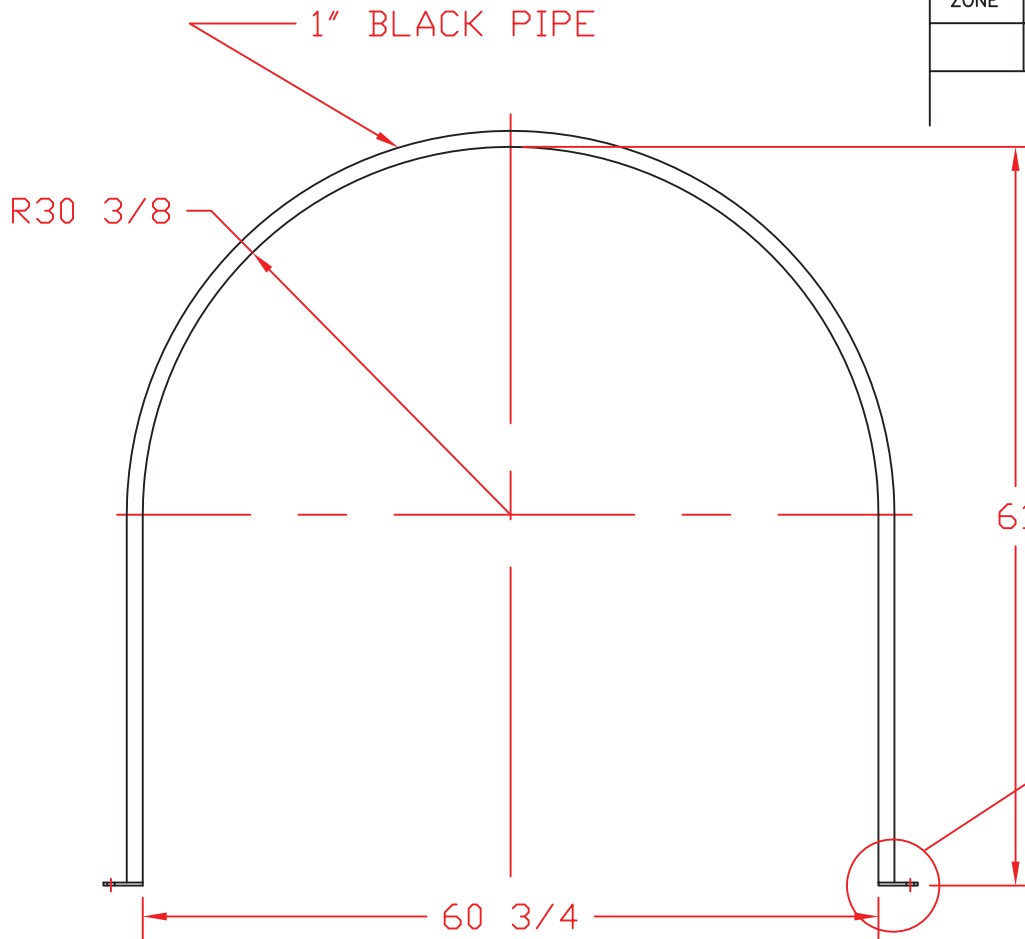



REVISIONS				
ZONE	REV	DESCRIPTION	DATE	APPROVED
	A	REDRAWN, WAS 1 1/4 PIPE	10SEP97	



FULL SCALE DETAIL

NOTE: WELD WITH LOW HYDROGEN ROD
 FINISH: HOT DIPPED GALVANIZED

JTP 10SEP97		 ST. BONIFACIUS, MN		
		BAND, 1625 GALLON HORIZONTAL TANK		
SIZE A	FSCM NO.	DWG NO. 60079	REV	
SCALE 1/16		SHEET		