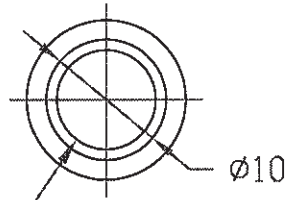
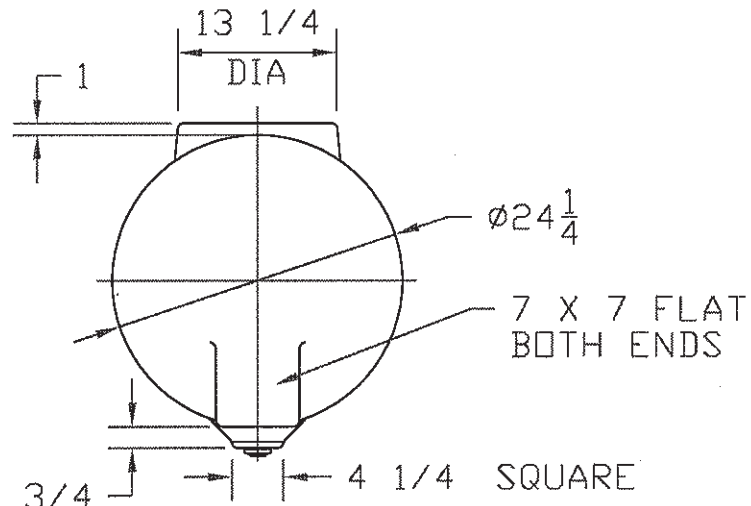
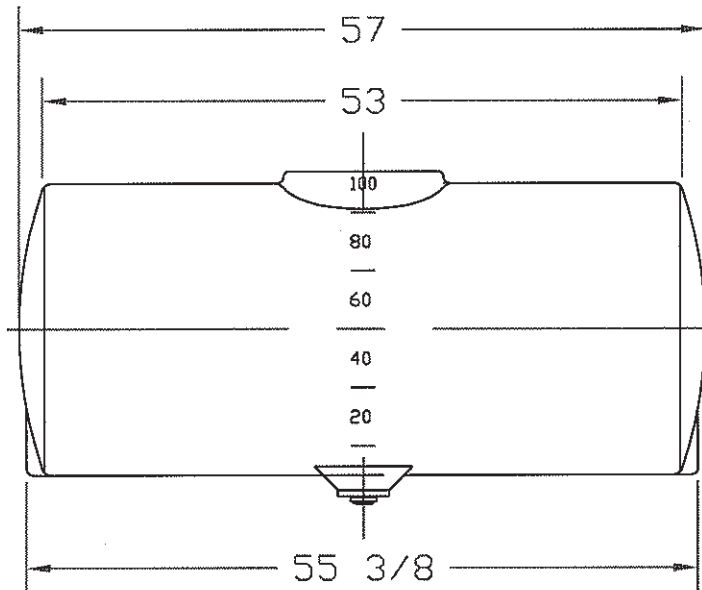


REVISIONS

ZONE	REV	DESCRIPTION	DATE	APPROVED
	A	LID REVISED	24MAR03	



8 1/4 ACME THD,
RH, FOR 60002 LID



NORWESCO

ST. BONIFACIUS, MN

100 GALLON APPLICATOR
TANK

JTP 8MAR96

SIZE A FSCM NO.

DWG NO. 60204

REV

SCALE 1/16

SHEET