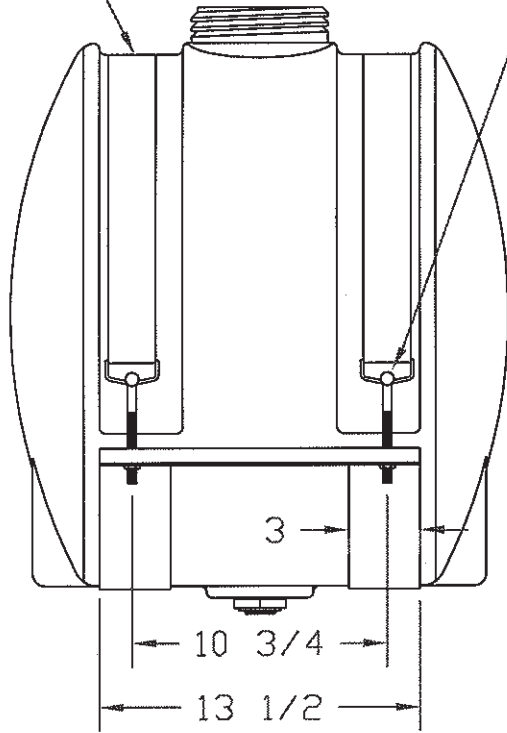


REVISIONS

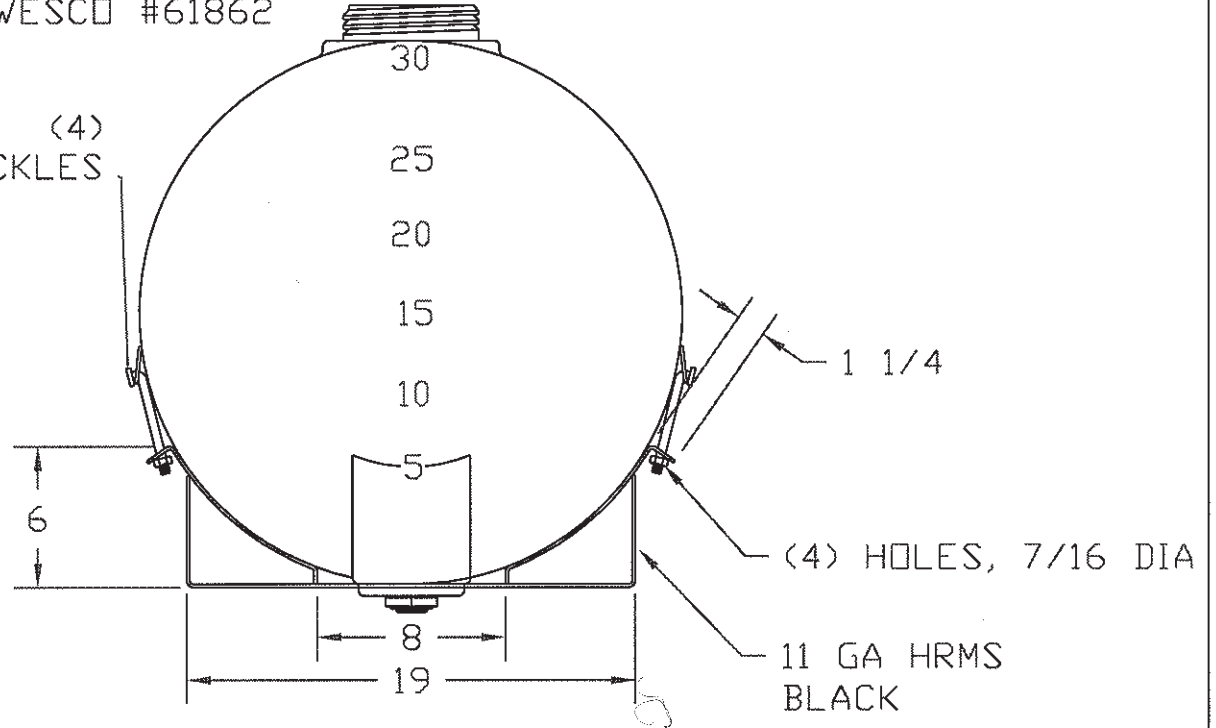
ZONE	REV	DESCRIPTION	DATE	APPROVED
	AA	REDRAWN	11SEP97	
	BB	WAS BLUE	27FEB02	
	CC	WAS J-BOLT	12SEP02	

(2) NYLON STRAPS, 2 X 54 LONG



(4) L-BOLTS, 3/8 DIA W/ NUT & LW, ZINC PLATED
NORWESCO #61862

(4) BUCKLES



NORWESCO

ST. BONIFACIUS, MN

30 GALLON SADDLE ASSY

JTP 11SEP97

SIZE A FSCM NO.

DWG NO.

REV CC

SCALE 1/8

SHEET