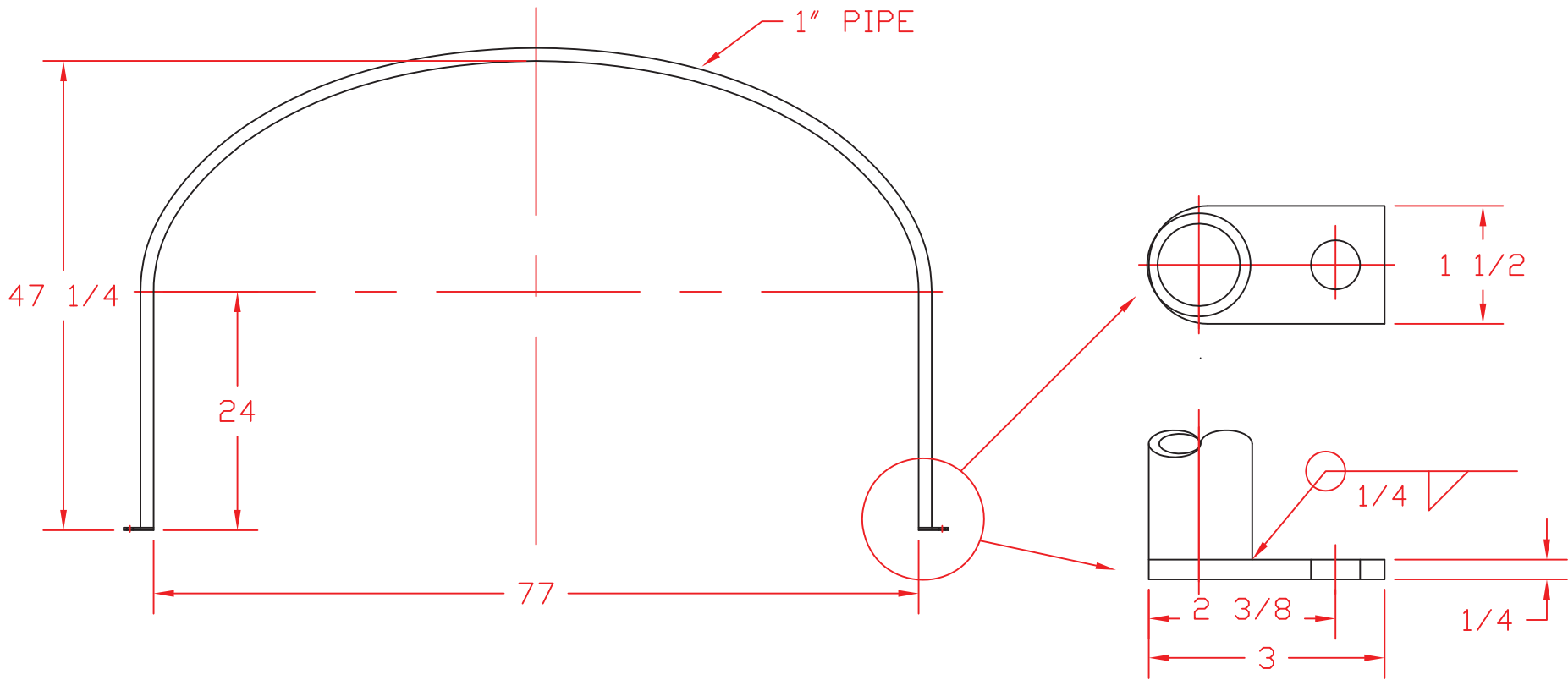


REVISIONS				
ZONE	REV	DESCRIPTION	DATE	APPROVED
	A	REDRAWN	25JUN97	



HOT-DIPPED  
GALVANIZED  
FINISH



ST. BONIFACIUS, MN  
BAND, 1035 ELLIPTICAL  
LEG TANK

JTP 25JUN97

SIZE A	FSCM NO.	DWG NO. 60325	REV A
-----------	----------	------------------	----------

SCALE 1/16 SHEET