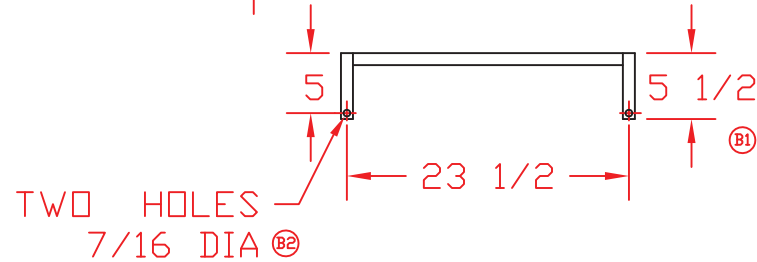
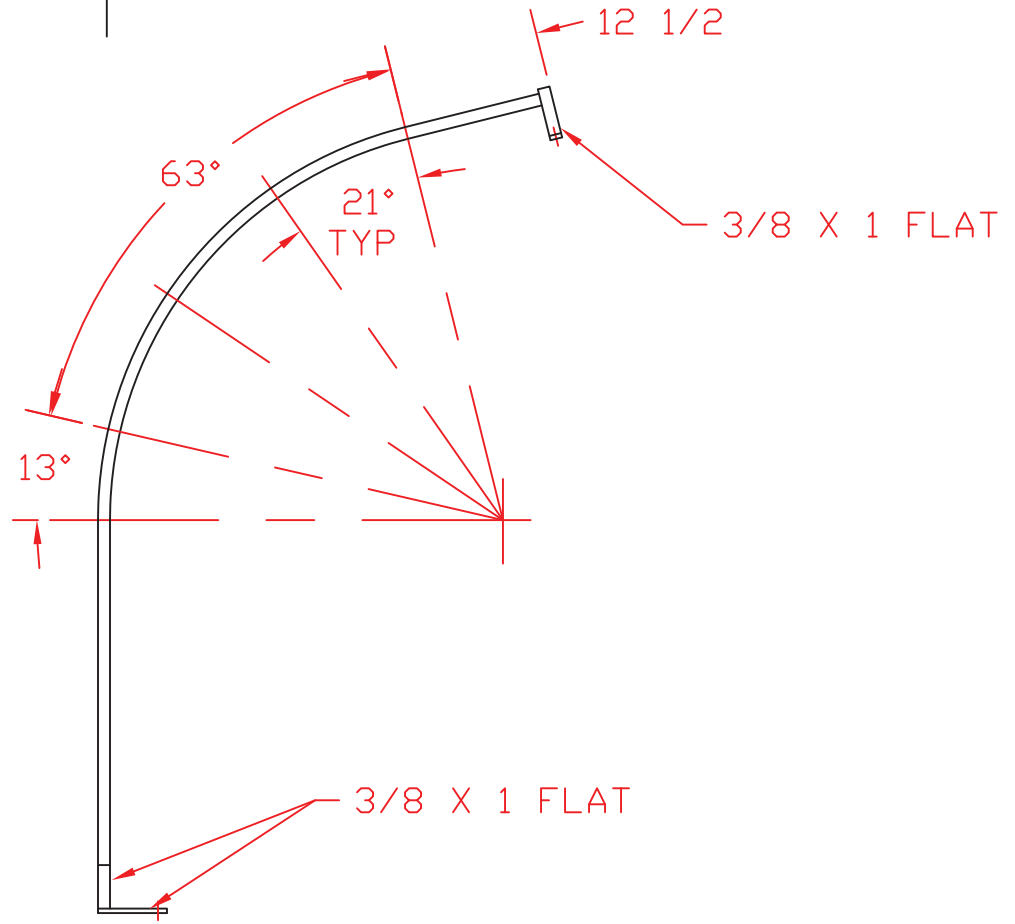
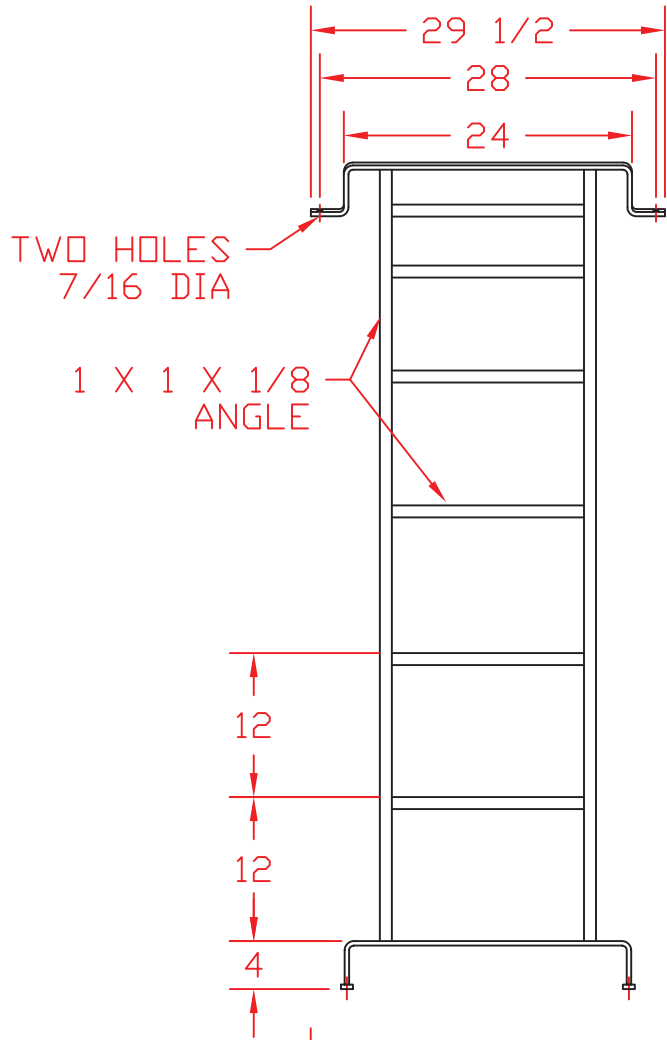


B WAS ① 5-3/4, ② 9/16 06FEB98

REVISIONS

ZONE	REV	DESCRIPTION	DATE	APPROVED
	A	REVISED & REDRAWN	23OCT97	



FINISH: HOT DIPPED GALVANIZED

**NORWESCO**

ST. BONIFACIUS, MN

LADDER, 2635/3135  
ELLIPTICAL LEG TANK

JTP	23OCT97	SIZE A	FSCM NO.	DWG NO. 60354	REV B
SCALE 1/16			SHEET		