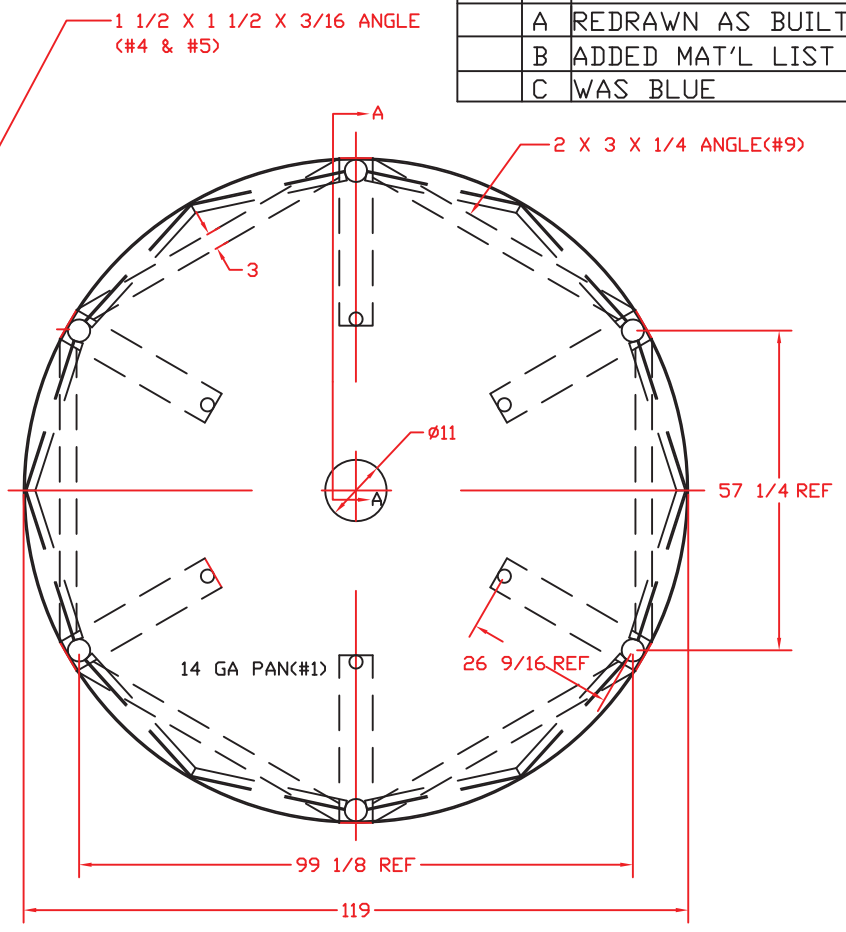
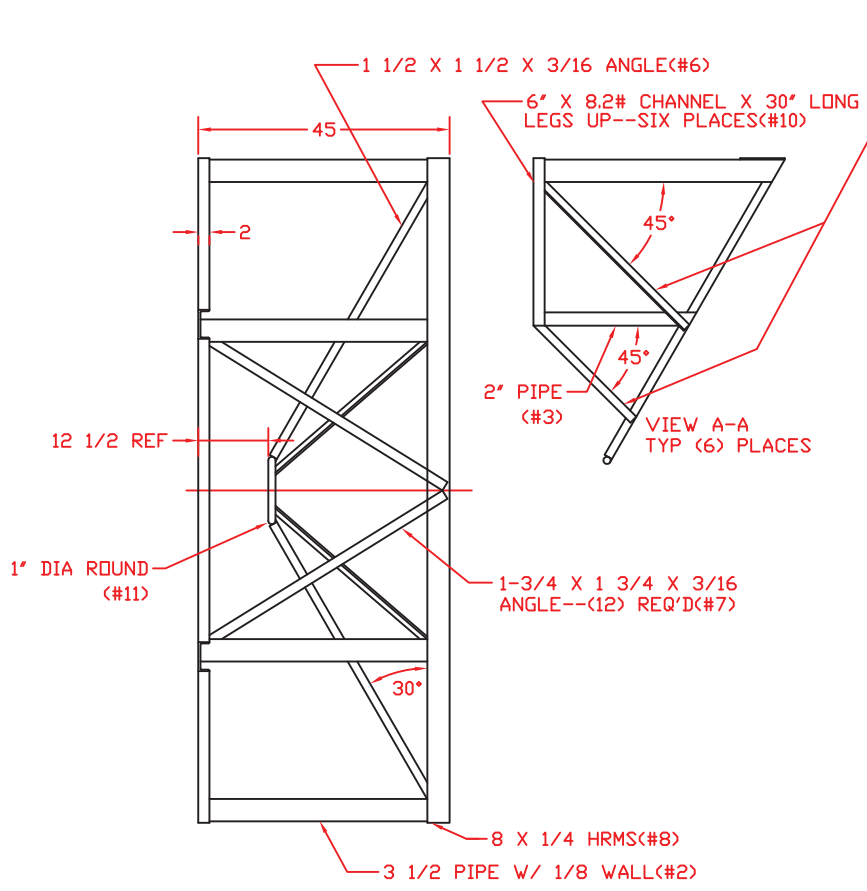


REVISIONS				
ZONE	REV	DESCRIPTION	DATE	APPROVED
	A	REDRAWN AS BUILT	12OCT94	
	B	ADDED MAT'L LIST	26JUN00	
	C	WAS BLUE	27FEB02	



PAINT BLACK				
		ST. BONIFACIUS, MN		
		STEEL STAND, 5500 GAL CONE BOTTOM TANK		
JTP	12OCT94	SIZE B	FSCM NO.	DWG NO. 60358
		SCALE 1/24		REV C
				SHEET