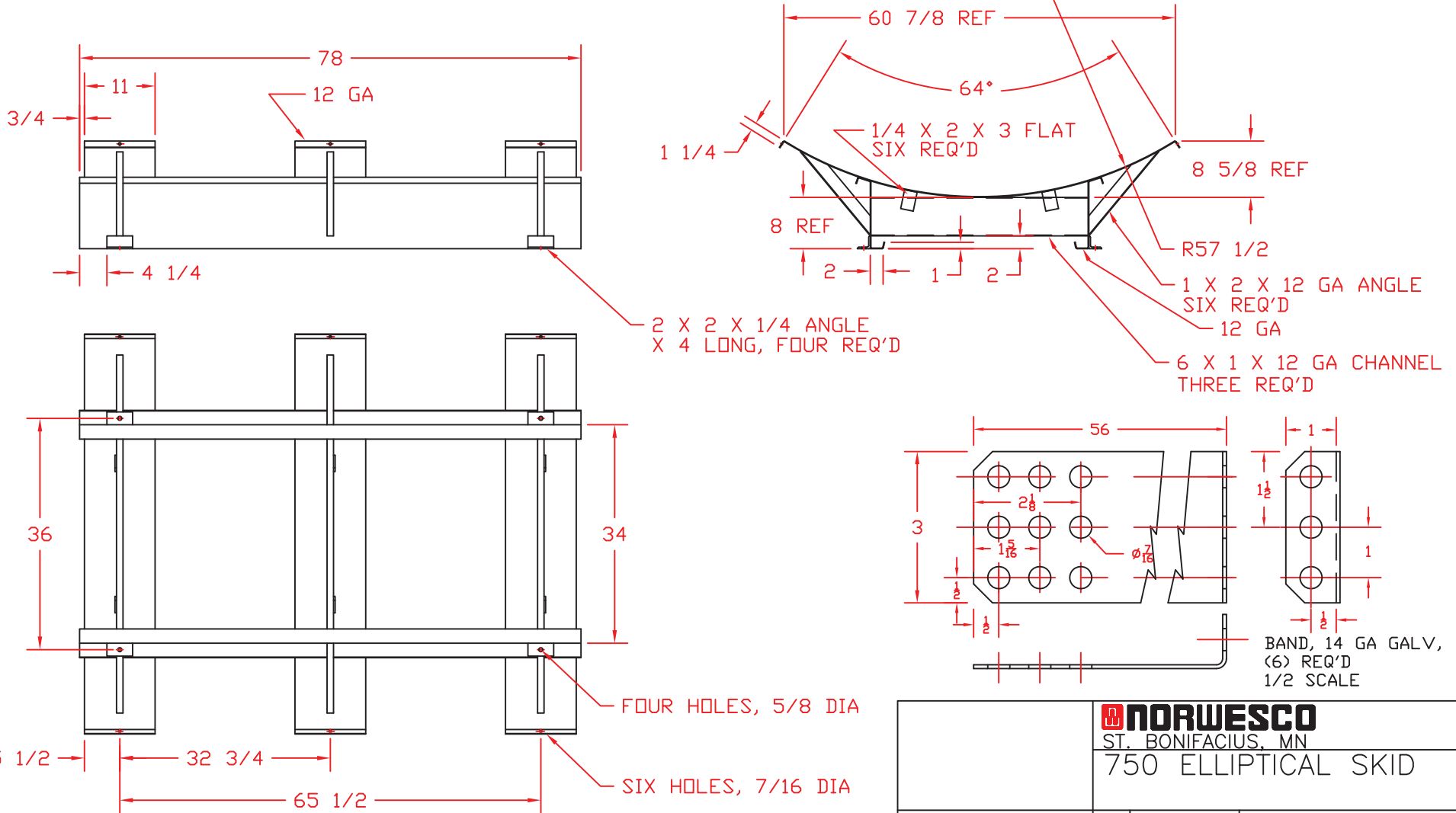


PAINT SKID WELDMENT BLACK

					REVISIONS				
ZONE	REV	DESCRIPTION	DATE	APPROVED	ZONE	REV	DESCRIPTION	DATE	APPROVED
	C	BAND WAS 1-PC, (3) REQ	26APR02			A	REDRAWN	18SEP97	
	D	BAND REVISED & REDRAWN	09APR09			B	WAS BLUE	27FEB02	



<p>NORWESCO ST. BONIFACIUS, MN 750 ELLIPTICAL SKID</p>				REV		
				D		
JTP	18SEP97	SIZE B	FSCM NO.	DWG NO.	SCALE 1/16	SHEET