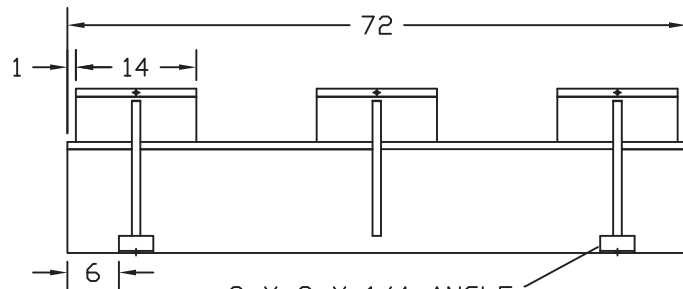
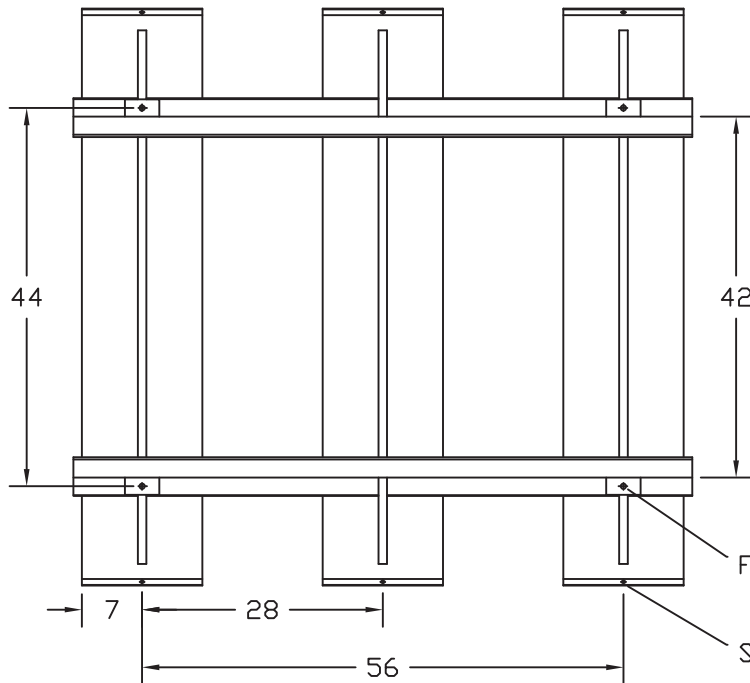


PAINT SKID WELDMENT BLACK

REVISIONS				
ZONE	REV	DESCRIPTION	DATE	APPROVED
	C	REDRAWN, R WAS 61 29/32	18MAR02	
	D	BAND REVISED & REDRAWN	09APR09	

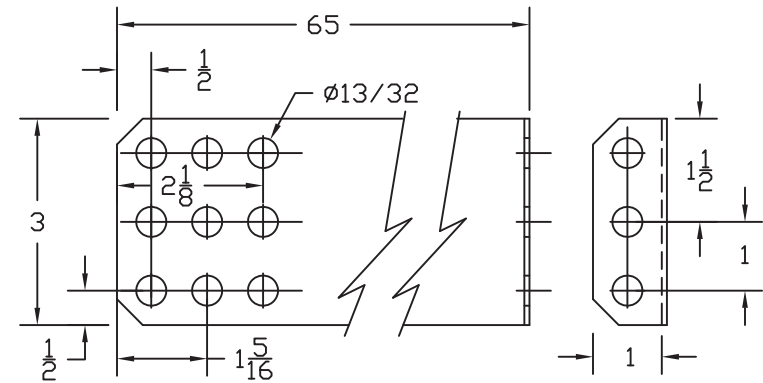
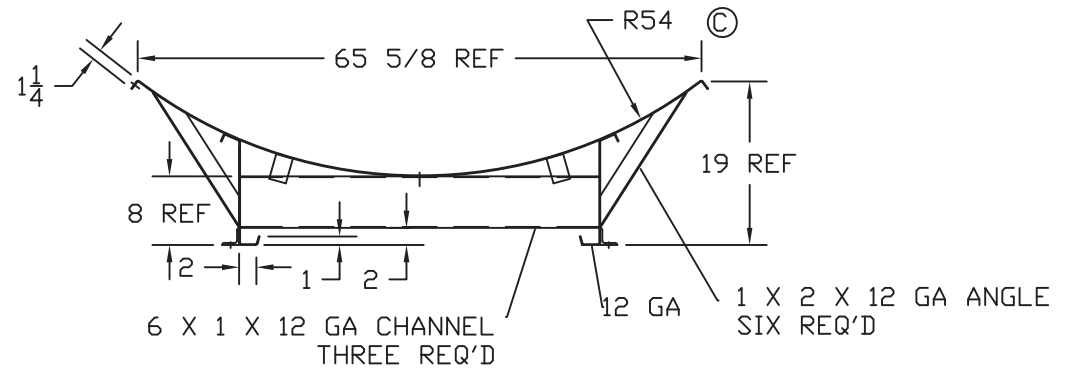


2 X 2 X 1/4 ANGLE
X 4 LONG, FOUR REQ'D



FOUR HOLES, 5/8 DIA

SIX HOLES, 7/16 DIA



BAND, 14 GA GALV.
SIX REQ'D

 ST. BONIFACIUS, MN 1000 ELLIPTICAL SKID				REV	
				D	
JTP	18MAR02	SIZE B	FSCM NO.	DWG NO.	REV
SCALE 1/16		SHEET			