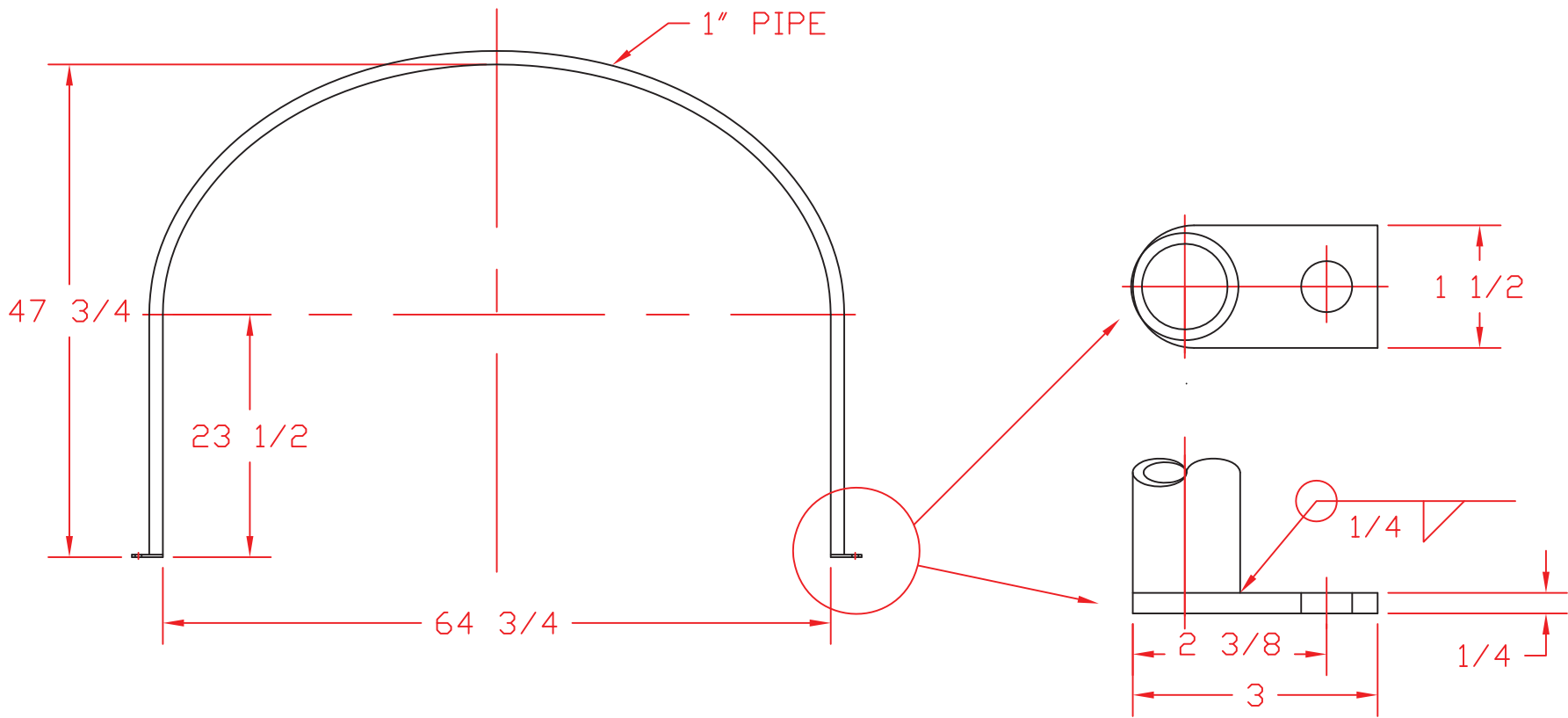


REVISIONS				
ZONE	REV	DESCRIPTION	DATE	APPROVED
	B	REDRAWN	25 JUN 97	



HOT-DIPPED
GALVANIZED
FINISH

NORWESCO

ST. BONIFACIUS, MN

BAND, 1235 ELLIPTICAL
LEG TANK

JTP 27JUN97

SIZE
A

FSCM NO.

DWG NO.

60477

REV
B

SCALE 1/16

SHEET