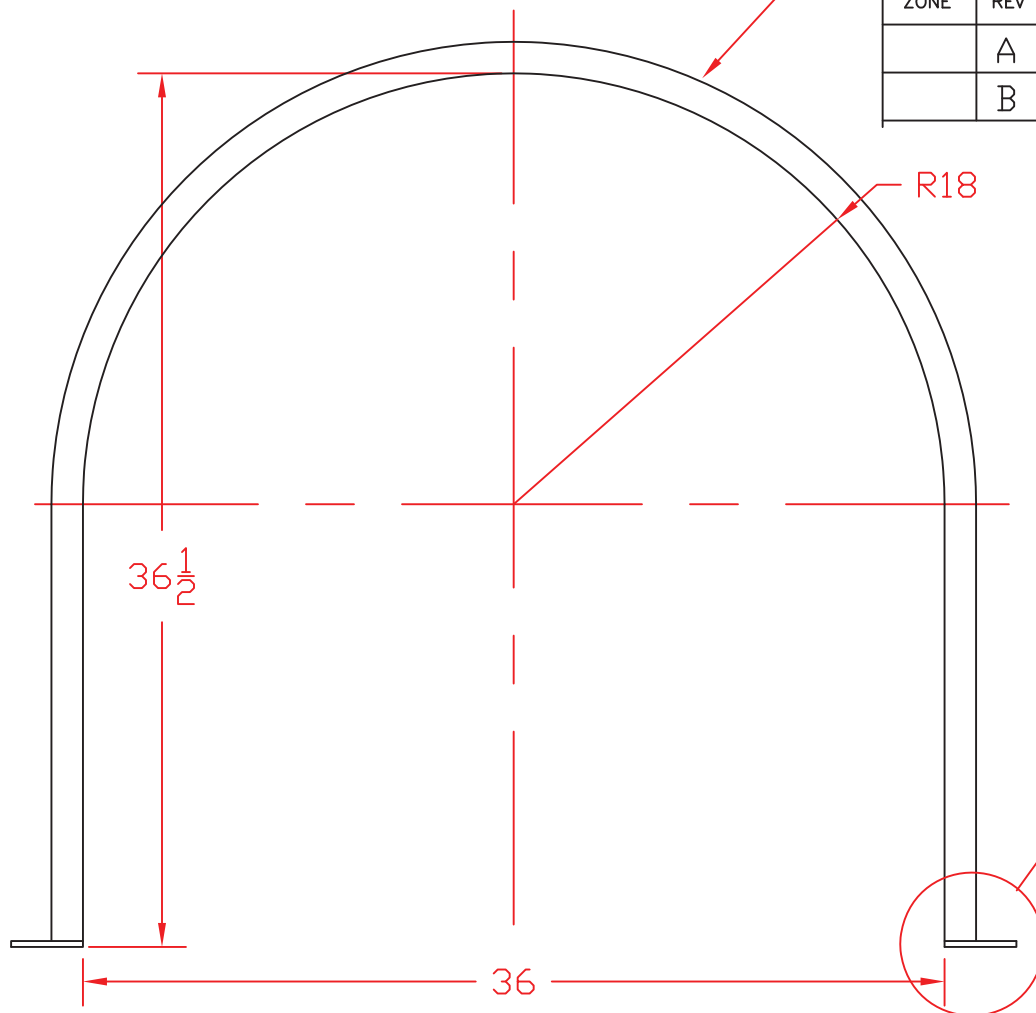
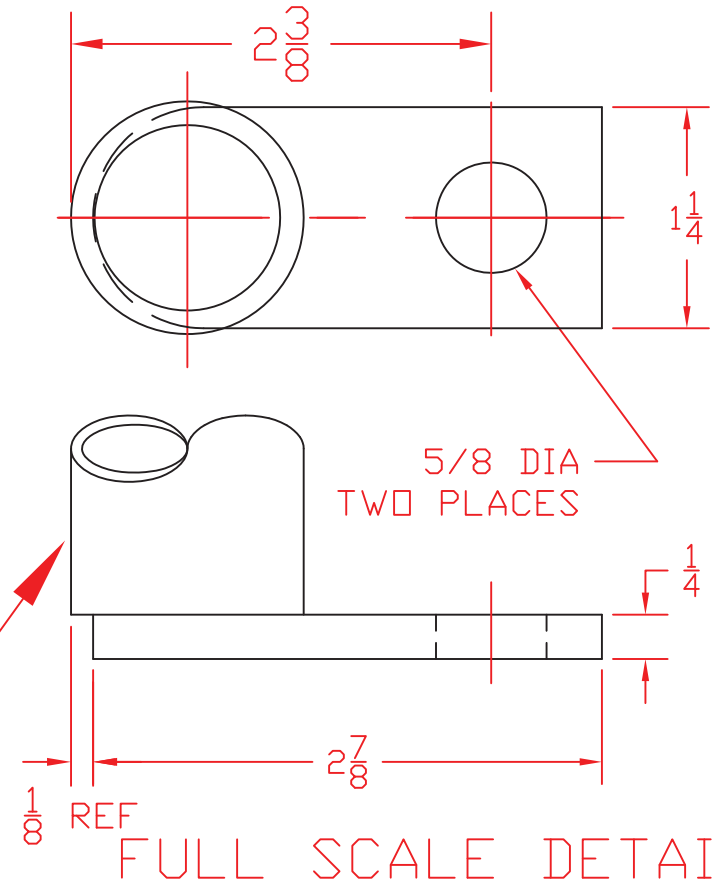


1" PIPE (1.31" OD) W/ .120" WALL



| REVISIONS |     |                   |         |          |
|-----------|-----|-------------------|---------|----------|
| ZONE      | REV | DESCRIPTION       | DATE    | APPROVED |
|           | A   | REDRAWN           | 10SEP97 |          |
|           | B   | REVISED & REDRAWN | 14JAN04 |          |



NOTE: WELD WITH LOW HYDROGEN ROD  
 FINISH: HOT DIPPED GALVANIZED

THIS DRAWING MODIFIED WITH  
 NARROWER FOOT.

|             |          |   |          |  |
|-------------|----------|---|----------|--|
| JTP 14JAN04 |          |   |          |  |
|             |          | ST. BONIFACIUS, MN<br>BAND, 225, 325 & 330<br>GALLON HORIZONTAL TANKS |          |  |
| SIZE<br>A   | FSCM NO. | DWG NO.<br>60478  | REV<br>B |  |
| SCALE 1/8   |          | SHEET   |          |  |