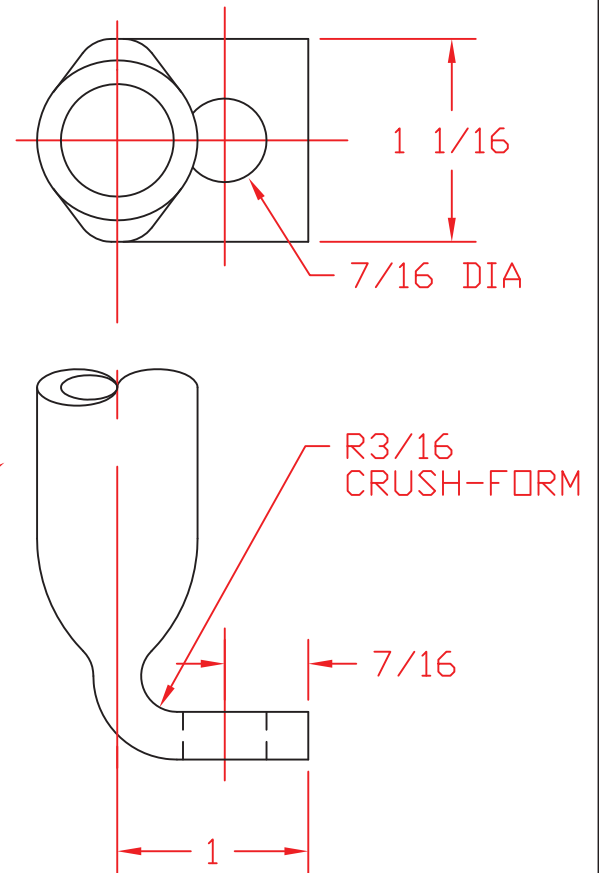
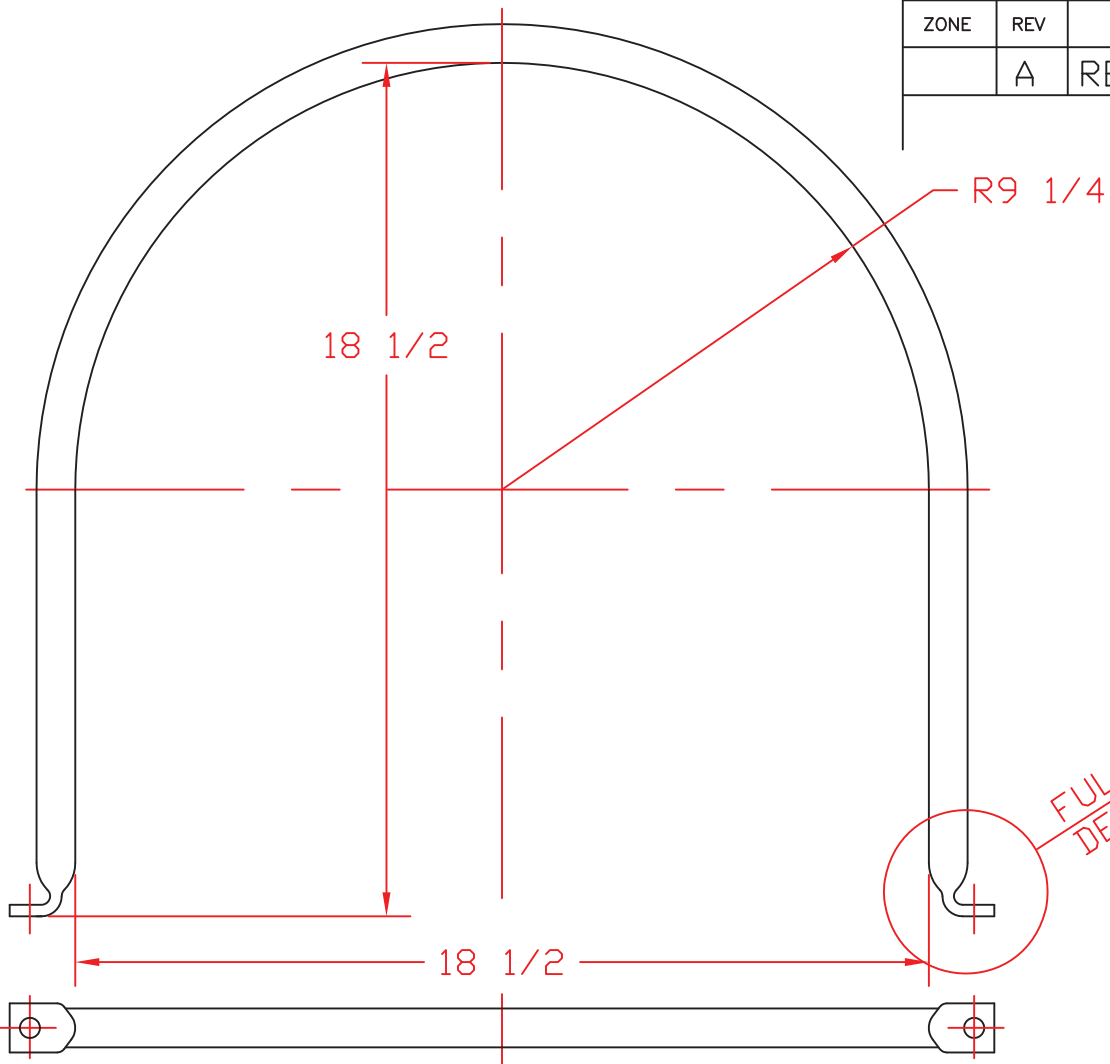


REVISIONS				
ZONE	REV	DESCRIPTION	DATE	APPROVED
	A	REDRAWN	09SEP97	



FULL SCALE
DETAIL

MAT'L: 1/2" GALVANIZED EMT CONDUIT

NORWESCO

ST. BONIFACIUS, MN

BAND, 35 GALLON
HORIZONTAL TANK

JTP 09SEP97

SIZE
A

FSCM NO.

DWG NO.

60520

REV
A

SCALE 1/4

SHEET