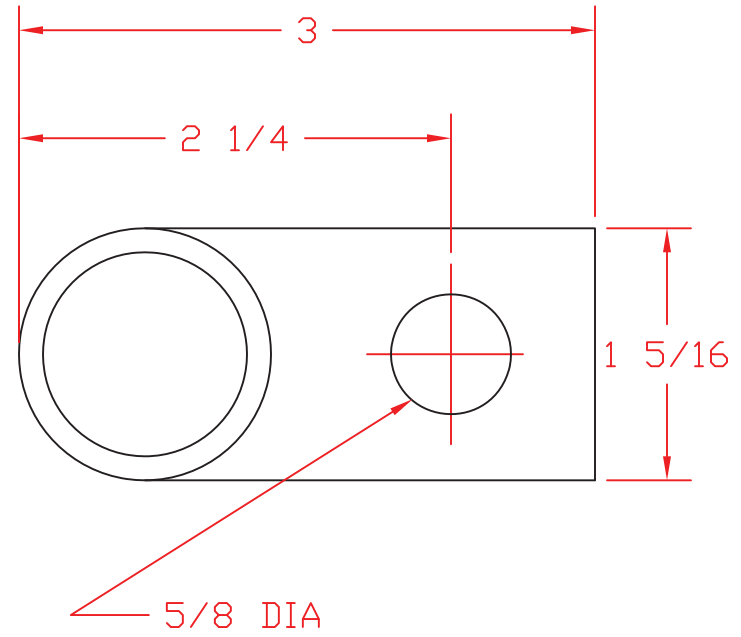
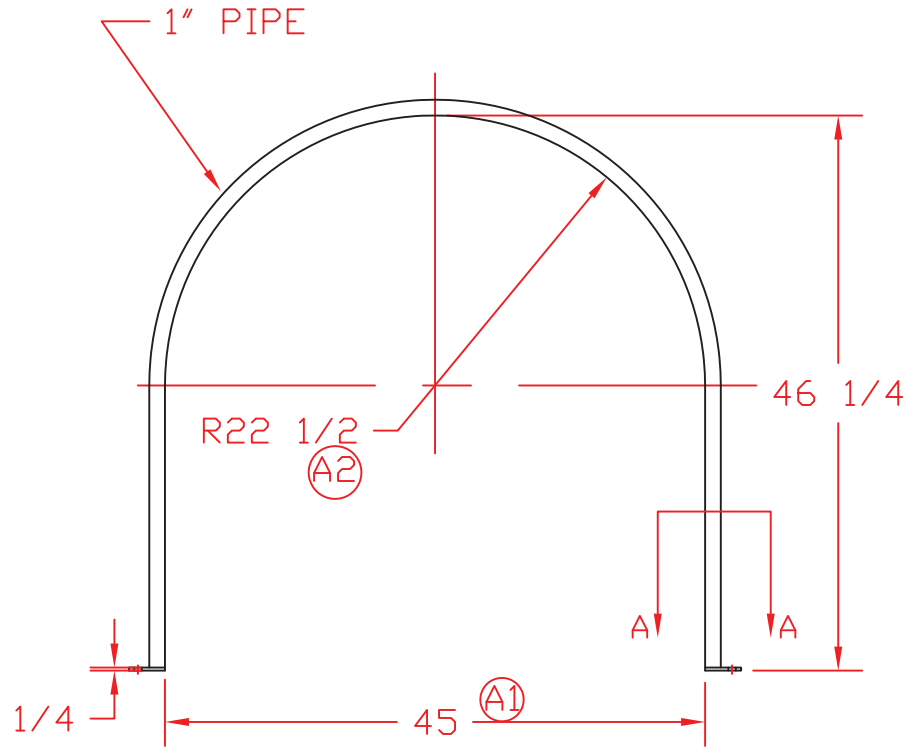


REVISIONS				
ZONE	REV	DESCRIPTION	DATE	APPROVED
	A	1,2--DIMS UPDATED	03AUG99	



VIEW A-A FULL SCALE

FINISH: HOT-DIPPED GALVANIZED

		ST. BONIFACIUS, MN		
		BAND, 1010 SHORT & 710		
JTP	8AUG96	SIZE A	FSCM NO.	DWG NO. 60584
		SCALE 1/16		REV A
			SHEET	