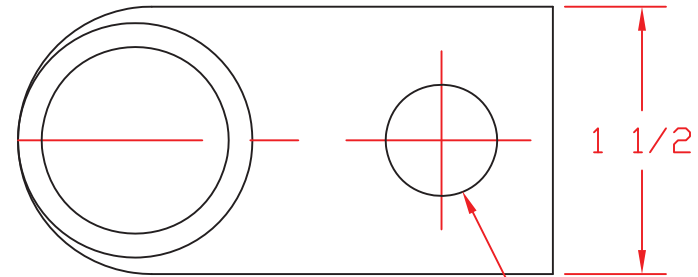
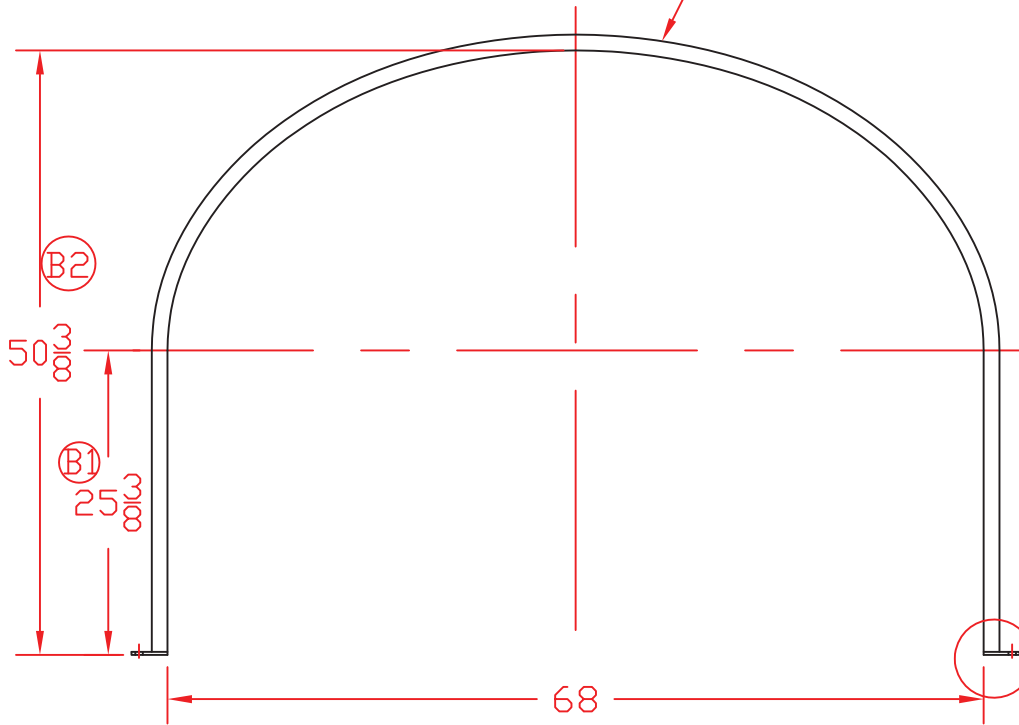
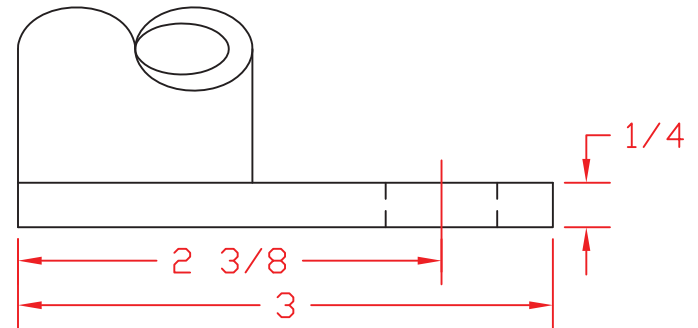


REVISIONS				
ZONE	REV	DESCRIPTION	DATE	APPROVED
	A	REDRAWN	10SEP97	
	B	WAS ① 26 ② 51	20NOV14	

1" SCHEDULE 10 PIPE




5/8 DIA  
TWO PLACES



FULL SCALE DETAIL

NOTE: WELD WITH LOW HYDROGEN ROD  
FINISH: HOT DIPPED GALVANIZE

		 ST. BONIFACIUS, MN BAND, 1635 ELLIPTICAL LEG TANK			
		JTP 10SEP97	SIZE <b>A</b>	FSCM NO.	DWG NO. 60586
		SCALE 1/16	SHEET		