

1" GALVANIZED EMT CONDUIT
(1.163 OD, 1.049 ID)

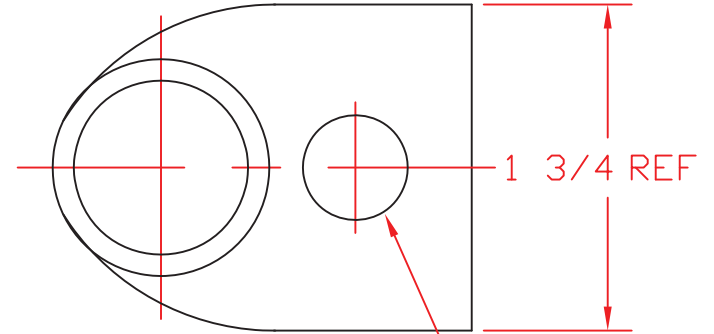
R15 1/4

30 3/4

30 1/2

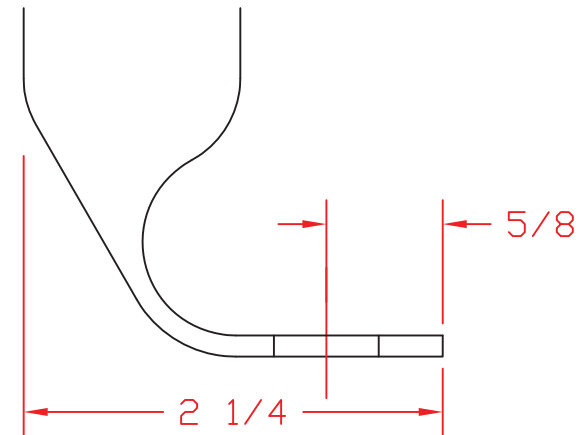
REVISIONS

ZONE	REV	DESCRIPTION	DATE	APPROVED
	B	REVISED & REDRAWN	15MAR99	



9/16 DIA
TWO PLACES

1 3/4 REF



FULL SCALE DETAIL

NORWESCO

ST. BONIFACIUS, MN

BAND, 125 GALLON

HORIZONTAL TANK

JTP	15MAR99	SIZE A	FSCM NO.	DWG NO. 61744	REV B
SCALE 1/8			SHEET		