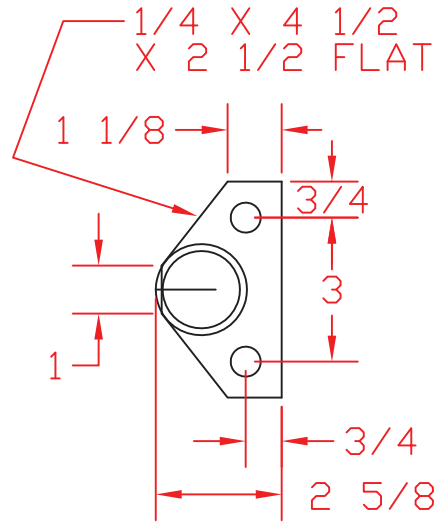
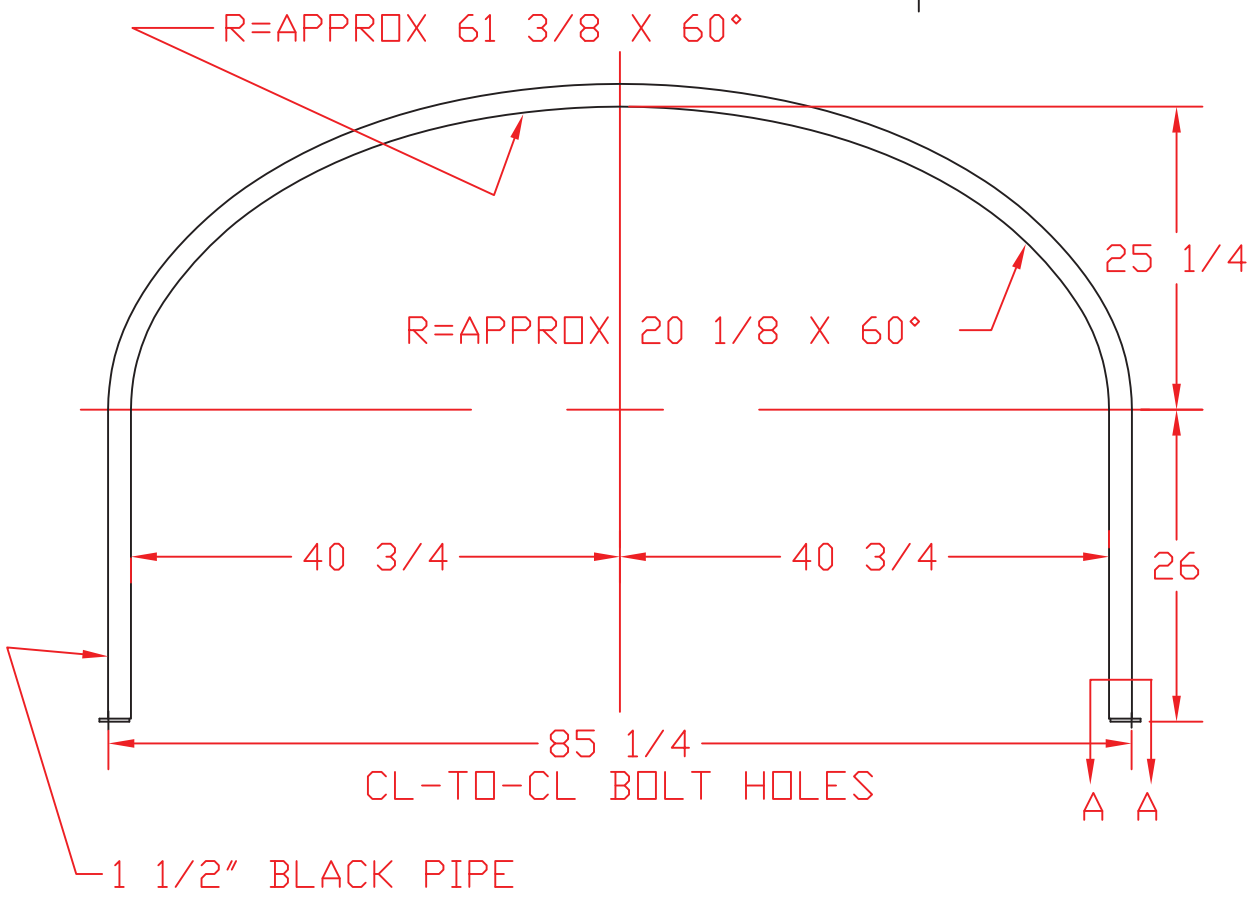


REVISIONS				
ZONE	REV	DESCRIPTION	DATE	APPROVED
	A	NOTE ADDED	16DEC10	



VIEW A-A
1/4 SCALE

FOB: ST BONIFACIUS MN
SHAWNEE, OK
FAIRFIELD, TX



		ST. BONIFACIUS, MN		
		BAND, 2035 ELLIPTICAL LEG TANK (MIDWEST)		
JTP	22APR94	SIZE A	FSCM NO.	DWG NO. 62079
		SCALE 1/16	SHEET	

REV
A