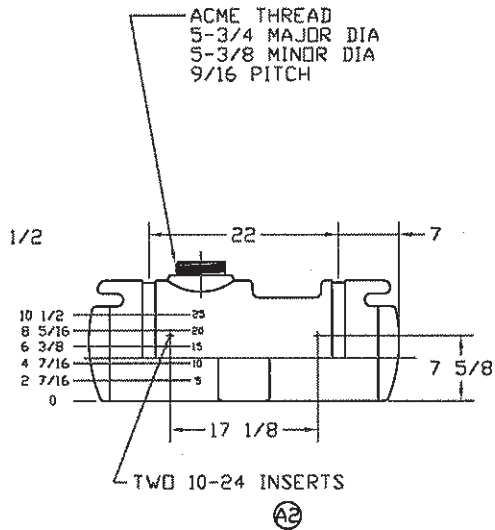


REVISIONS				
ZONE	REV	DESCRIPTION	DATE	APPROVED
	A	1 & 2--WAS	1/4-20	09FEB95
	B	LID THREAD REVISED	09FEB00	



JTP 04NOV94					REV
		ST. BONIFACIUS, MN 25 GALLON SPOT SPRAYER TANK			B
SCALE 1/16		SIZE B	FSCM NO.	DWG NO.	SHEET