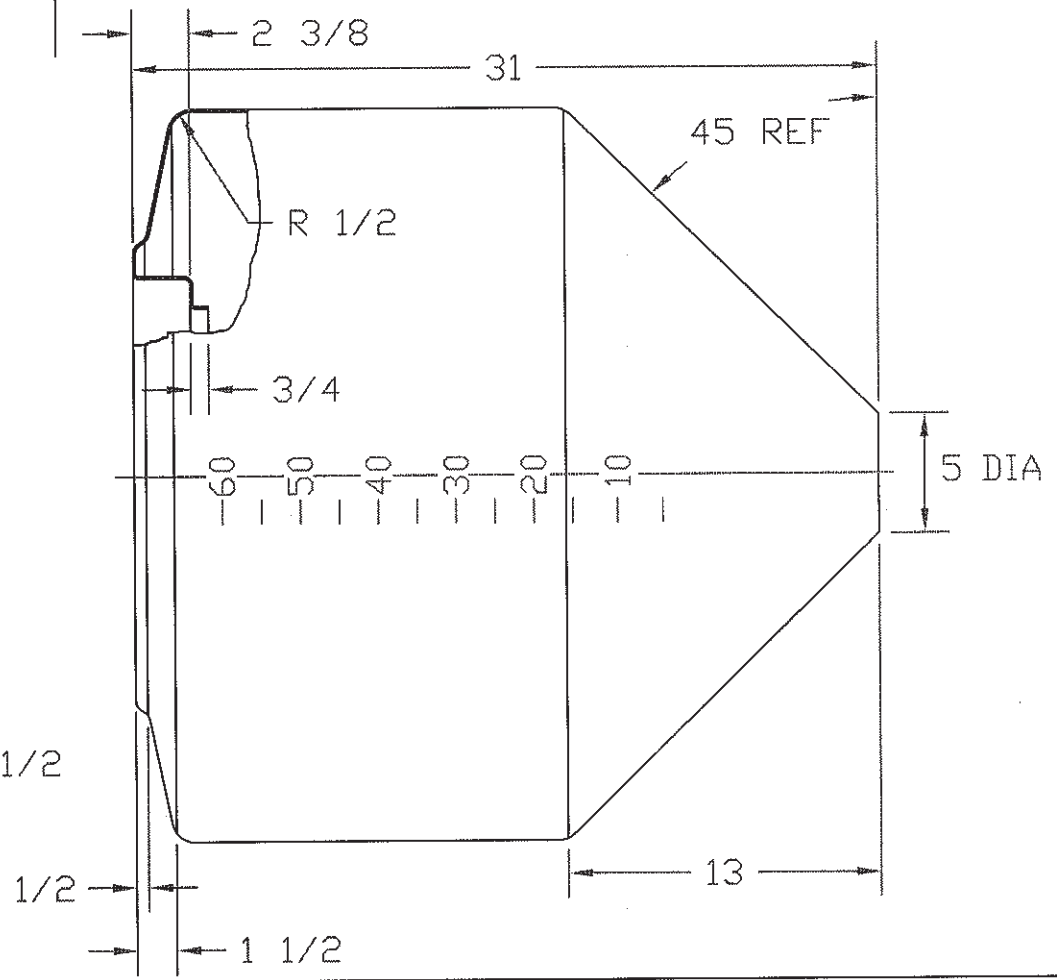


REVISIONS				
ZONE	REV	DESCRIPTION	DATE	APPROVED



		ST. BONIFACIUS, MN		
JTP 19JUL96		60 GALLON INDUCTOR TANK		
		SIZE A	FSCM NO.	DWG NO.
		SCALE 1/8	SHEET	REV