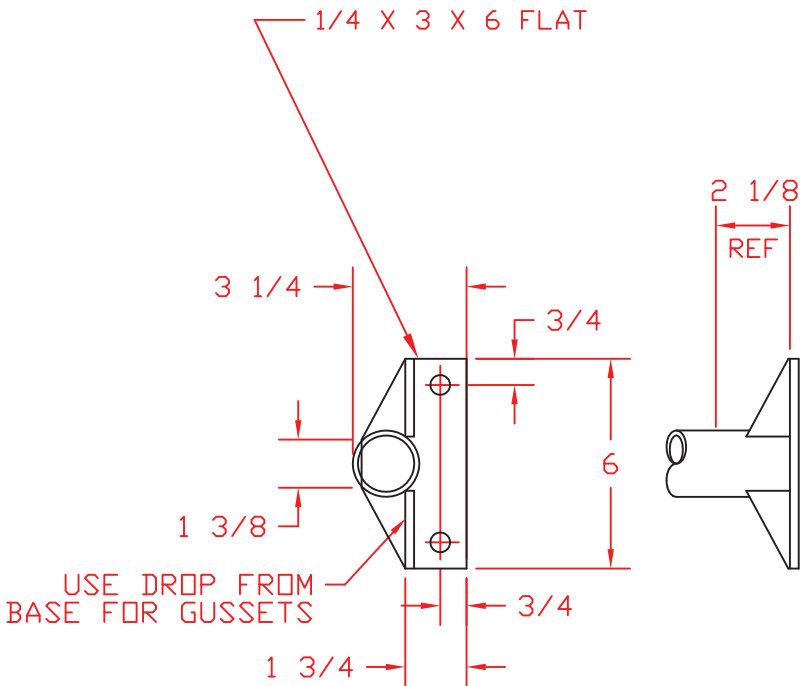
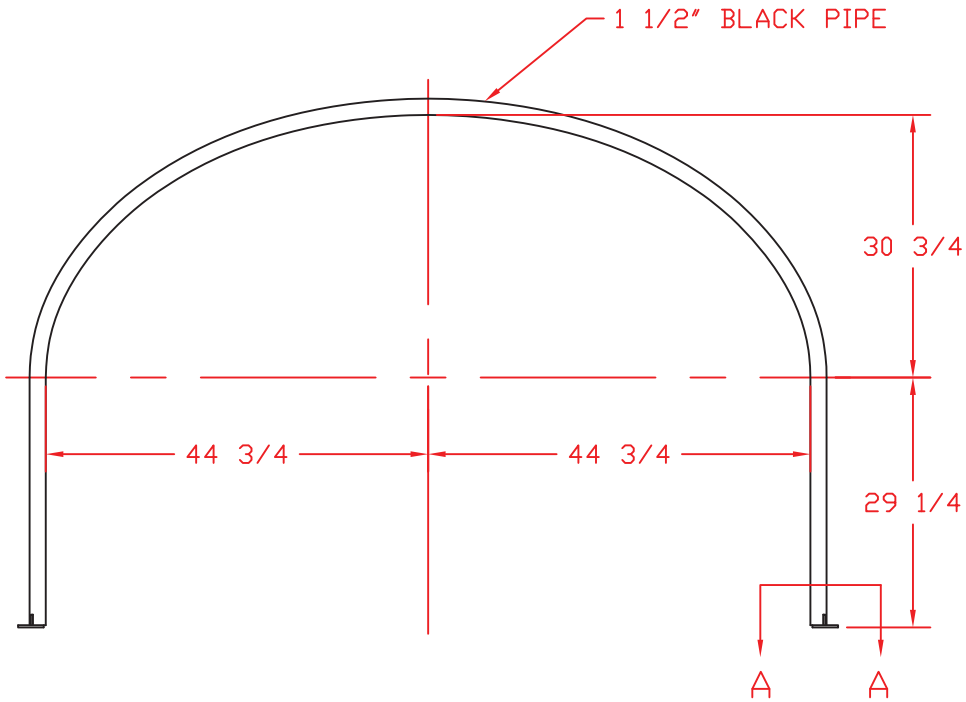


REVISIONS				
ZONE	REV	DESCRIPTION	DATE	APPROVED



VIEW A-A  
1/4 SCALE

JTP 14SEP00				
		ST. BONIFACIUS, MN LONG BAND, 3210 DRAINABLE TANK		
SIZE B	FSCM NO.	DWG NO. 62348	REV	
SCALE 1/16		SHEET		