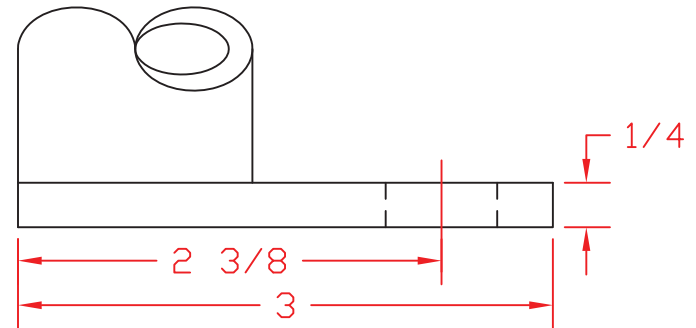
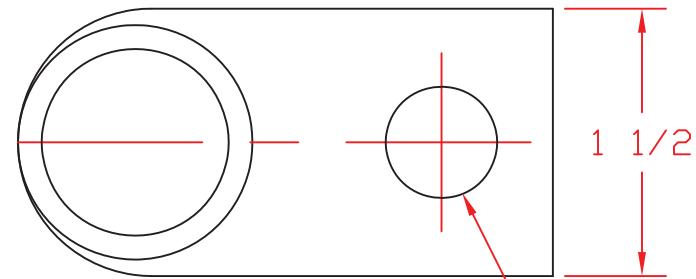
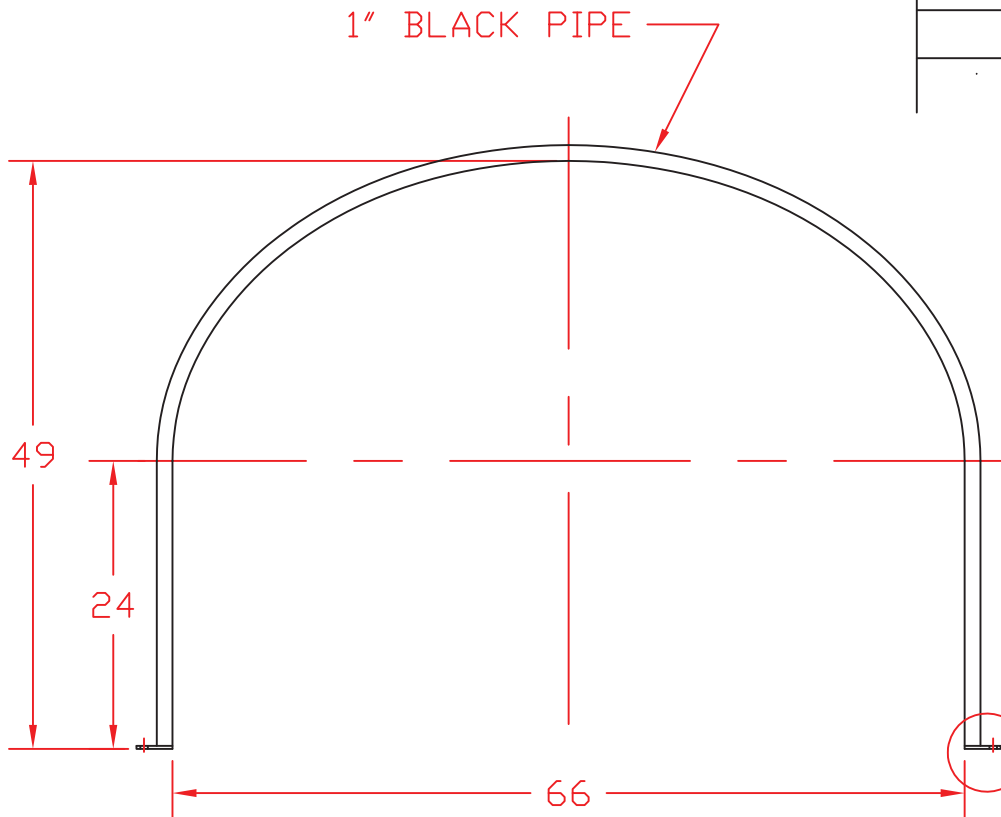


REVISIONS				
ZONE	REV	DESCRIPTION	DATE	APPROVED



FULL SCALE DETAIL

NOTE: WELD WITH LOW HYDROGEN ROD
FINISH: HOT DIPPED GALVANIZED

NORWESCO

ST. BONIFACIUS, MN

BAND, 1610 ELLIPTICAL
DRAINABLE LEG TANK

JTP	19NOV98	SIZE A	FSCM NO.	DWG NO. 62434	REV
SCALE 1/16			SHEET		