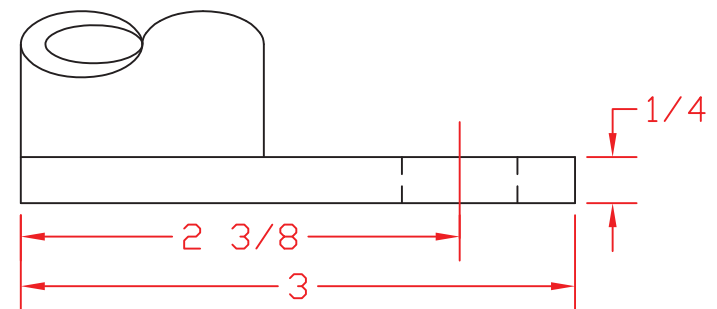
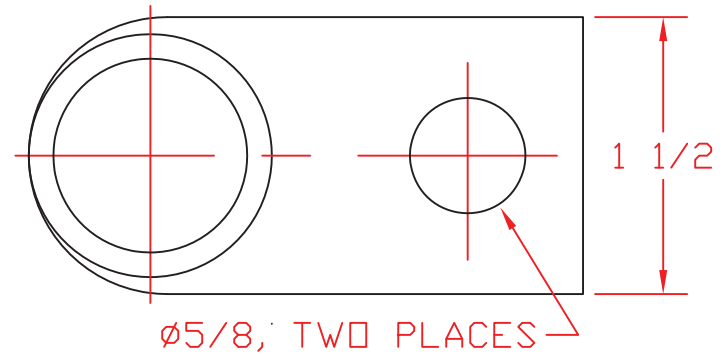
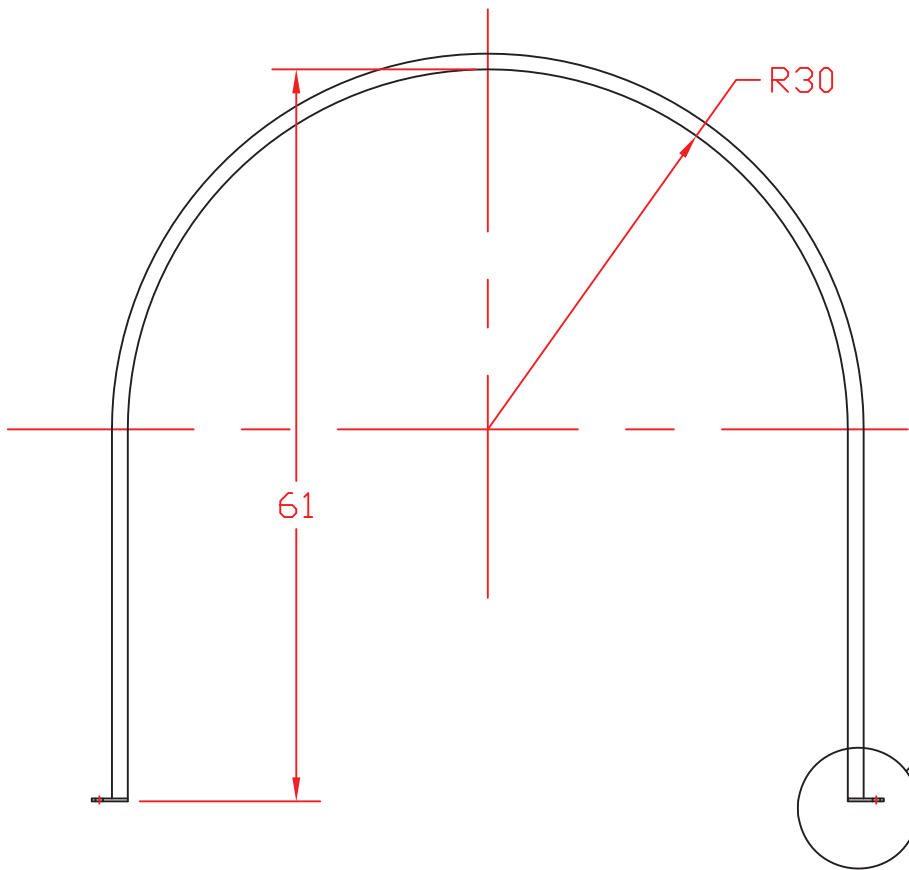


REVISIONS				
ZONE	REV	DESCRIPTION	DATE	APPROVED



FULL SCALE DETAIL

NOTE: WELD WITH LOW HYDROGEN ROD

FINISH: HOT DIPPED GALVANIZED

**NORWESCO**

ST. BONIFACIUS, MN

BAND, 925 & 1800 GAL  
HORIZONTAL TANKS

JTP	15SEP00	SIZE A	FSCM NO.	DWG NO. 62852	REV
		SCALE 1/16			SHEET