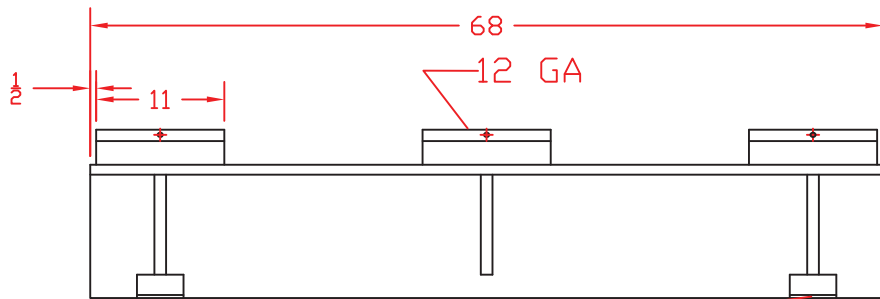
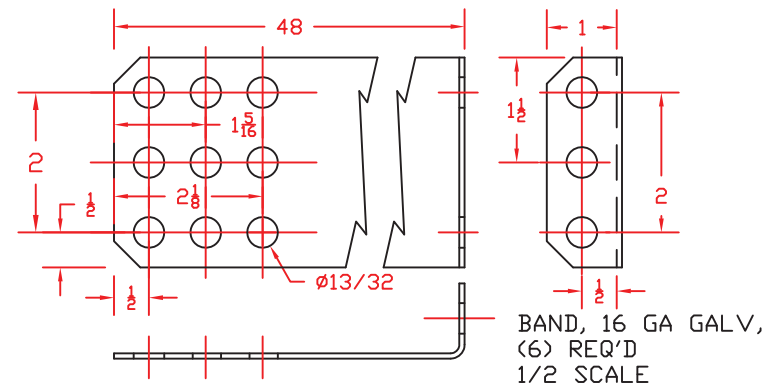
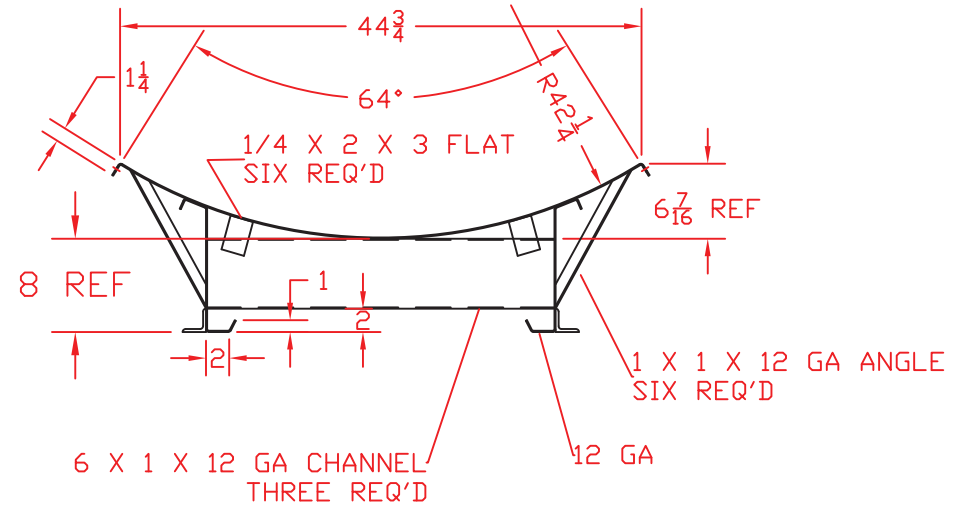
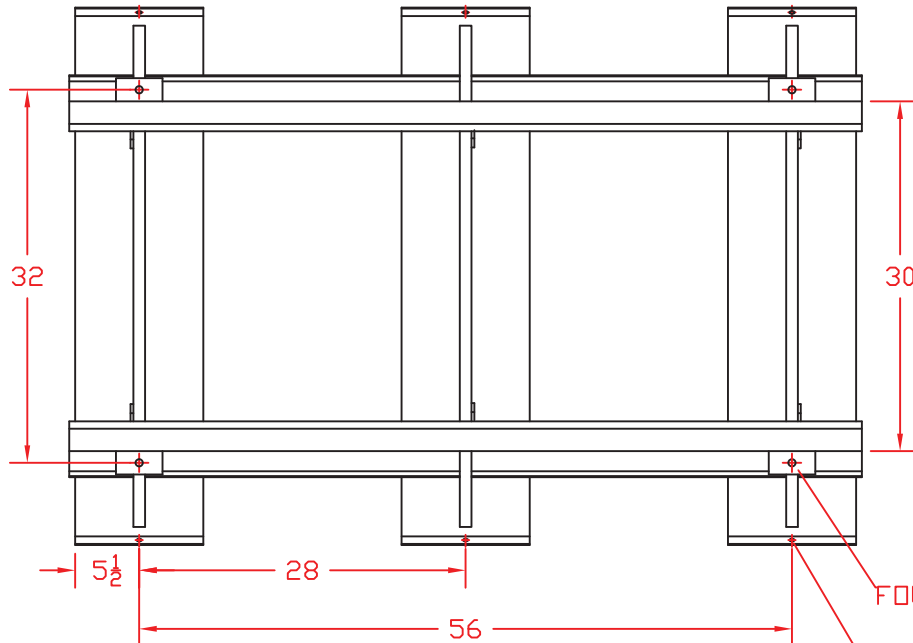


PAINT BLACK

ZONE	REV	DESCRIPTION	DATE	APPROVED
	A	BAND WAS 1-PC, (3) REQ	26APR02	
	B	BAND REVISED & REDRAWN	10APR09	



4
2 X 2 X 1/4 ANGLE
X 4 LONG, FOUR REQ'D



NORWESCO
ST. BONIFACIUS, MN
500 ELLIPTICAL SKID

JTP 28AUG01

SIZE
B

FSCM NO.

DWG NO.

REV
B

SCALE 1/12

SHEET