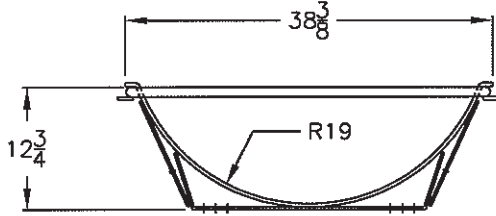
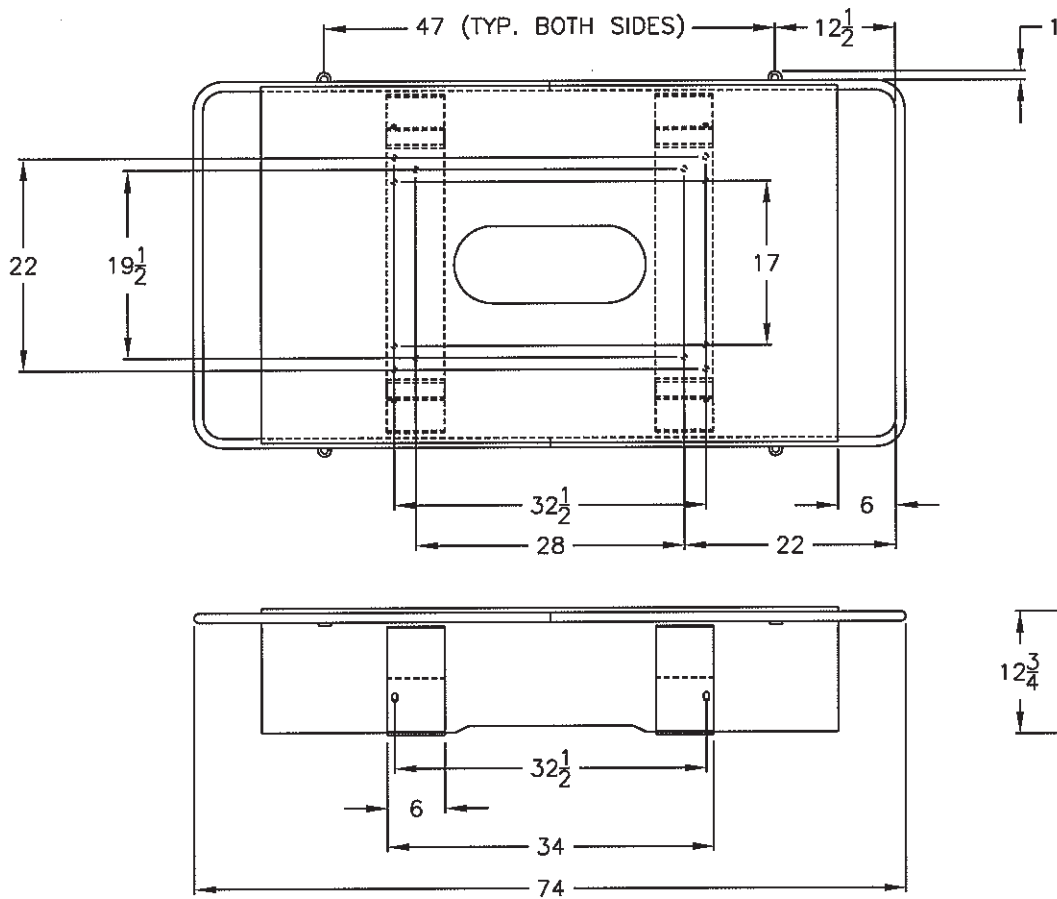


REVISIONS				
ZONE	REV	DESCRIPTION	DATE	APPROVED



**PARTS BAG CONTENTS:**

- (2) POLY STRAP, 3" X 96"
- (4) BENT BUCKLE, 3"
- (4) J-BOLT, 1/2"
- (8) HEX NUT, 1/2"

JTP 27FEB02		<b>NORWESCO</b>		
		ST. BONIFACIUS, MN		
SCALE 1/20		300-38 SADDLE ASSEMBLY		
		SIZE A	FSCM NO.	DWG NO.
				REV
				SHEET