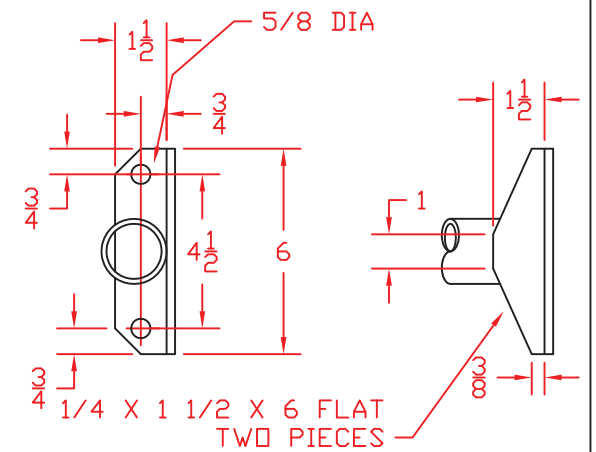
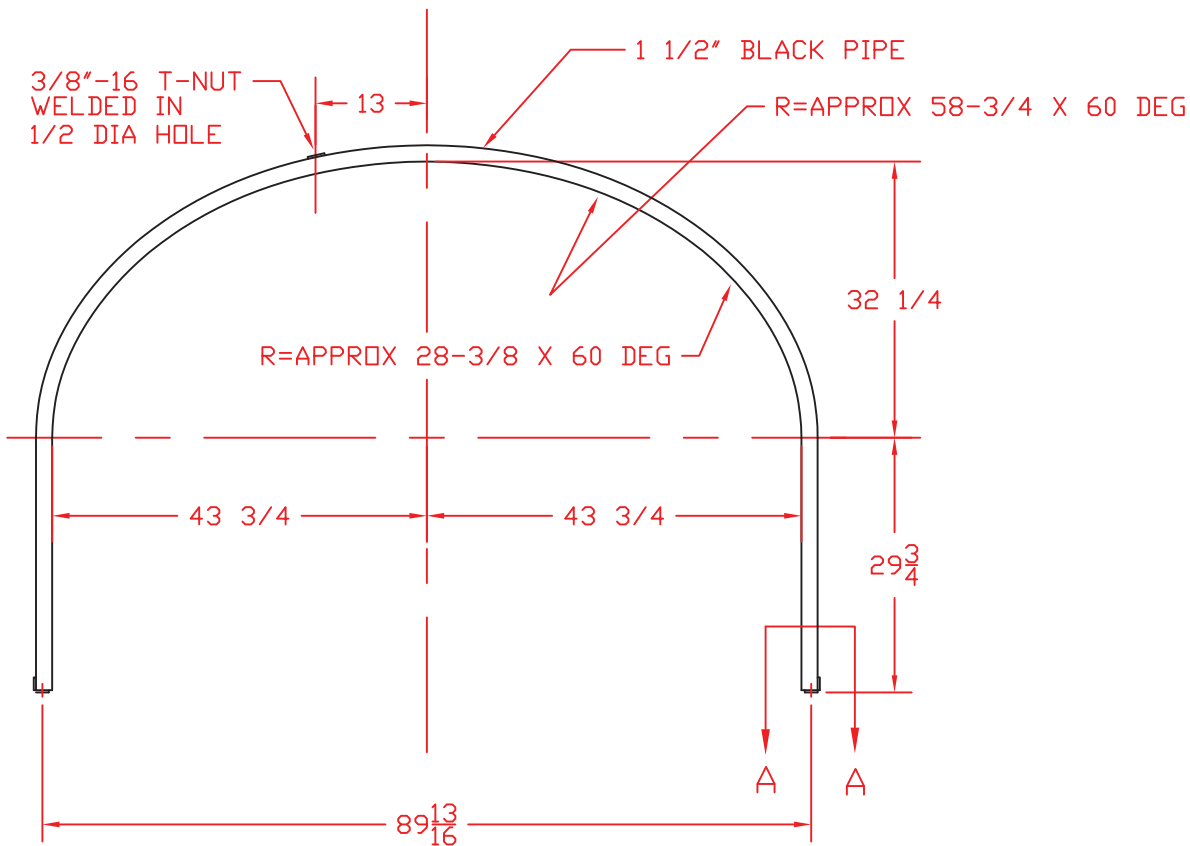


REVISIONS				
ZONE	REV	DESCRIPTION	DATE	APPROVED



VIEW A-A
1/4 SCALE

JTP 19MAR02				
		ST. BONIFACIUS, MN		
SCALE 1/16		BAND, 2610 ELLIPTICAL TANK, LONG		
		SIZE B	FSCM NO.	DWG NO. 63045
SHEET		REV		