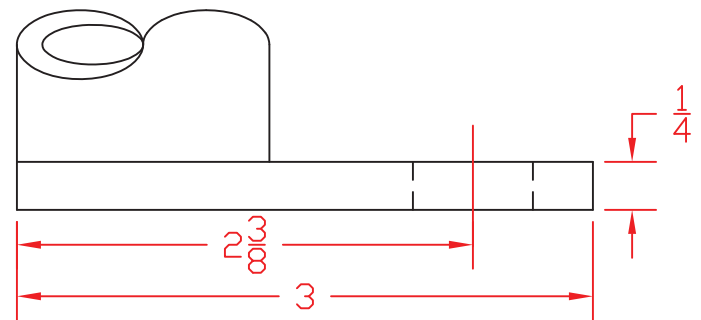
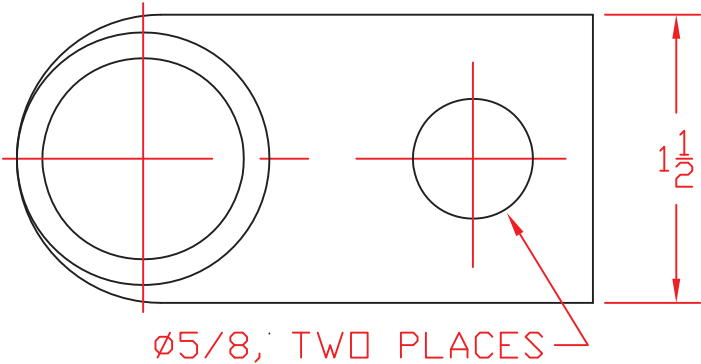
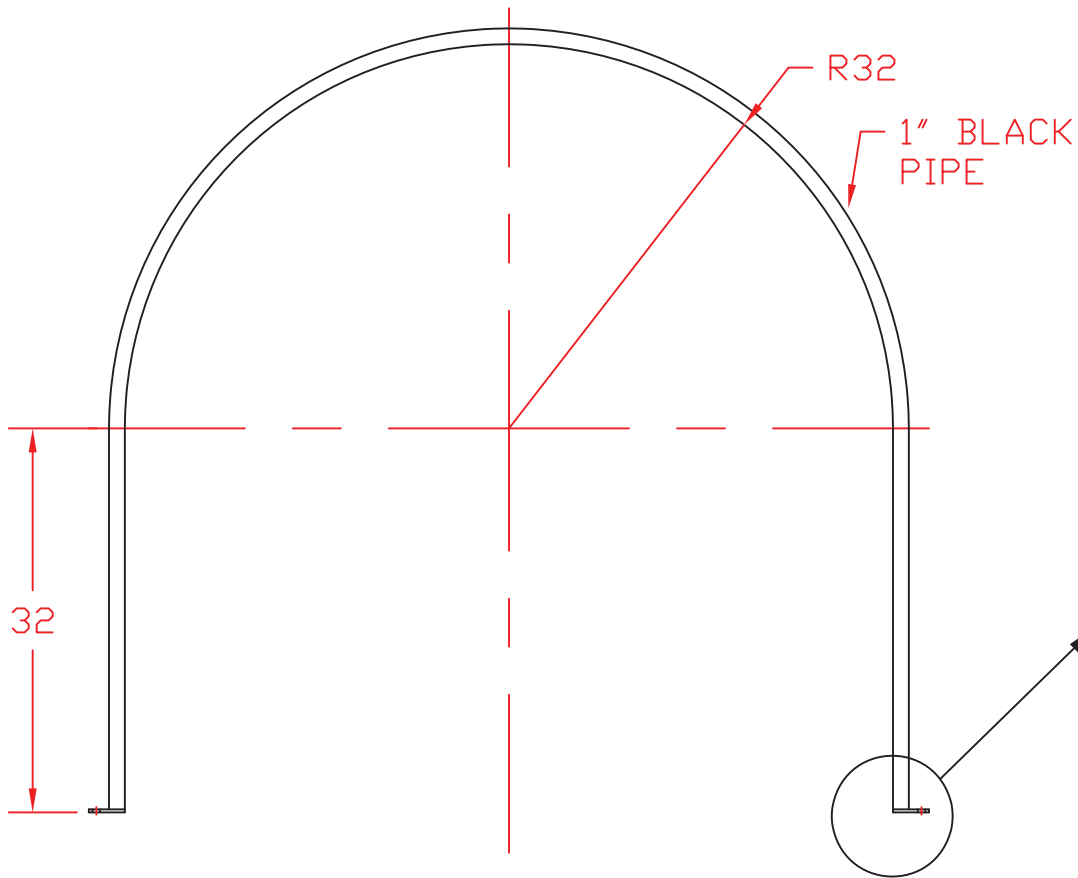


REVISIONS				
ZONE	REV	DESCRIPTION	DATE	APPROVED



FULL SCALE DETAIL

FINISH: HOT DIPPED GALVANIZED

NORWESCO
 ST. BONIFACIUS, MN
 BAND, 1325 HORIZONTAL &
 1310 DRAINABLE TANKS

JTP	15SEP03	SIZE A	FSCM NO.	DWG NO. 63282	REV
		SCALE 1/16	SHEET		