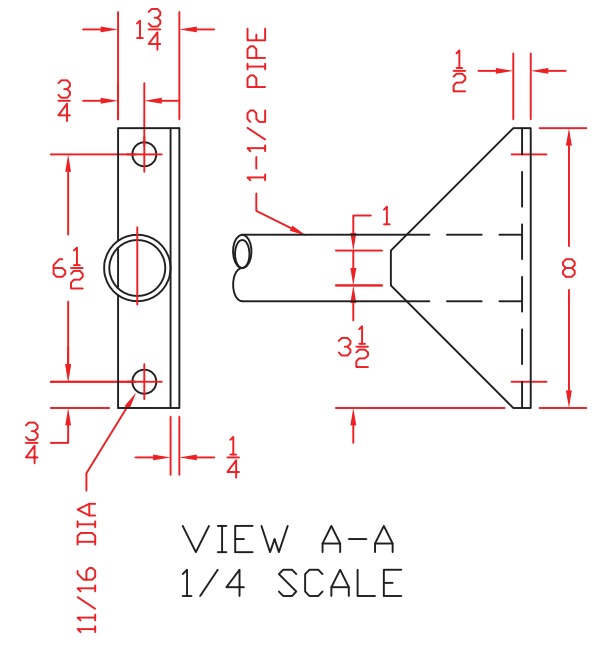
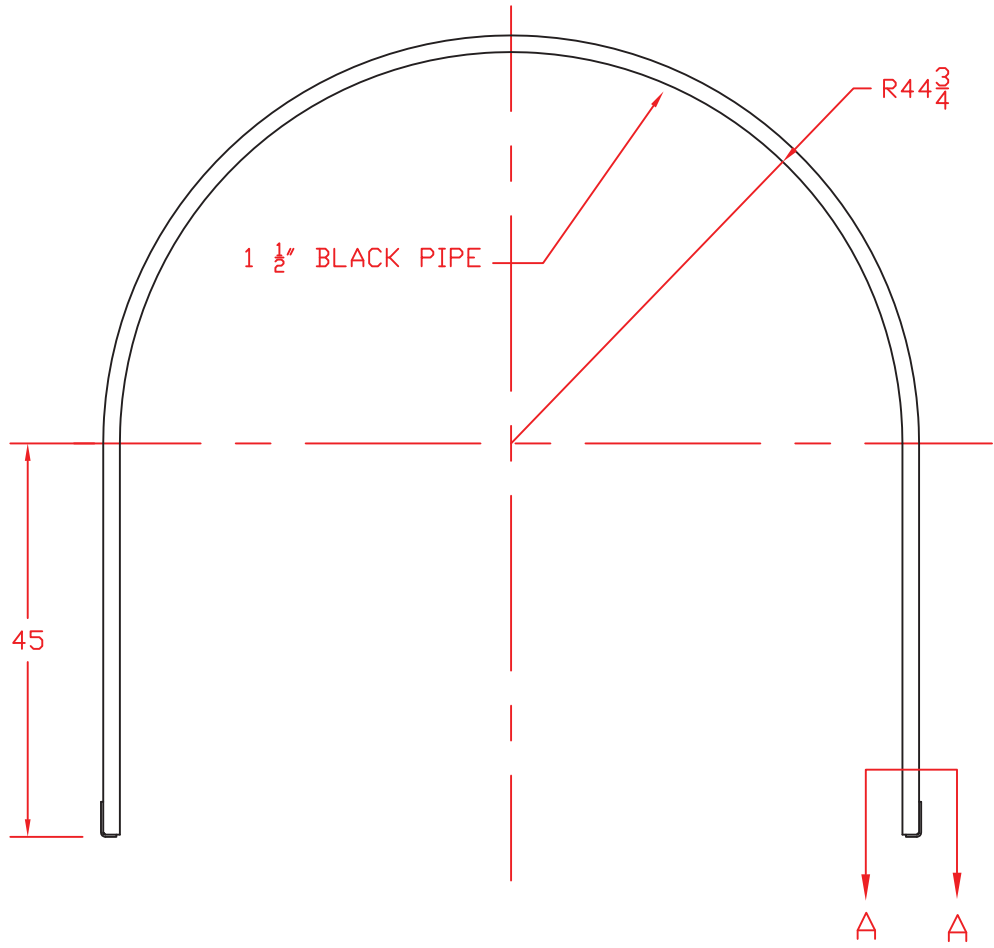


REVISIONS				
ZONE	REV	DESCRIPTION	DATE	APPROVED



VIEW A-A
1/4 SCALE

JTP 15SEP03				
		ST. BONIFACIUS, MN BAND, 3725 & 5025 GALLON HORIZONTAL TANK		
SCALE 1/16	SIZE B	FSCM NO.	DWG NO. 63284	REV
SCALE 1/16			SHEET	