
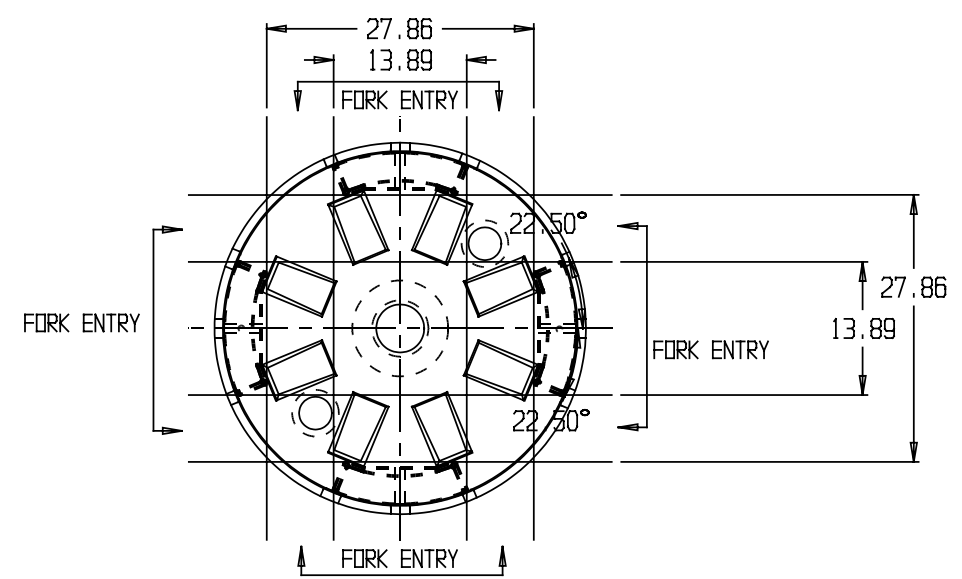
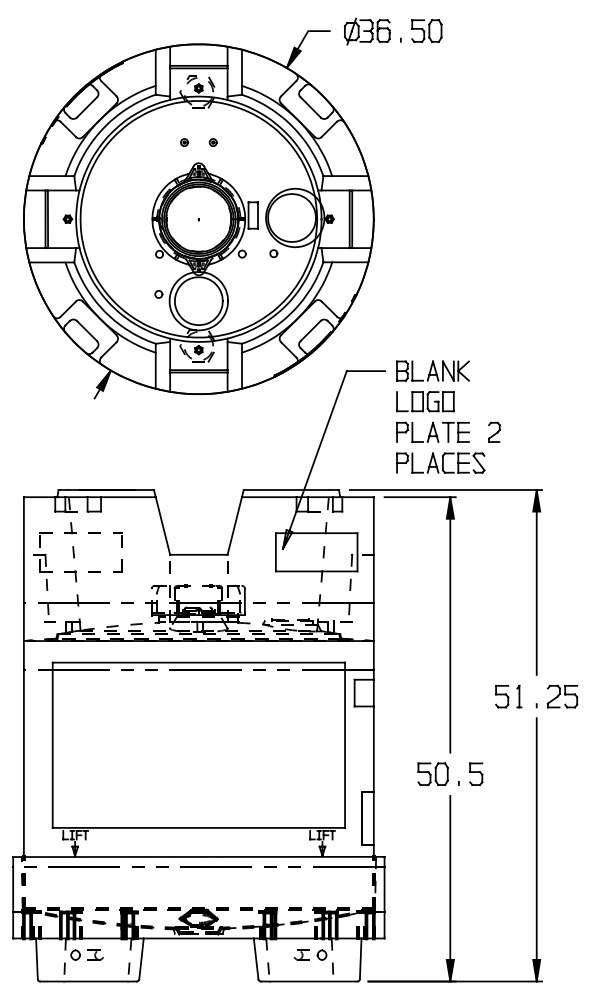


U.N. MARKING ON TANK READS:


 31H2 / Y / MO. / YR. / USA  
 SNYDER IND. INC.  
 LINCOLN, NE. 1486 / 743  
 CAPACITY - 454 LITERS (120 gal)  
 TARE MASS - 63 KG (138 lbs)  
 GAUGE TEST PRESSURE - 100 KPA (14.7 psig)

120 NEXT GENERATION PREMIUM STANDARD ASSEMBLY

ITEM #	DESCRIPTION	QTY.	PART NUMBER
1	TANK -120 NG UN HD/NAT 2RB/6INS.	1	6360000S97401
2	BASE - 60/120 NEXT GENERATION HDPE BLACK	1	6320000S967
3	PUMP PROTECTOR 15 INCH TALL HDPE BLACK	1	6340000S967
4	6.5" GEM RETAINER NUT CAP EPDM CAP GASKET	1	34700736
5	CAPLUG PE 6IN #T-1100 RED	1	34500038
6	ASSEMBLY PLUG 2IN NPS BUNG W/EPDM - WHITE	1	34700340
7	ASM VENT PE 2IN VAC SII DRILLED/EPDM	1	34700854
8	BOLT STEEL 1/4-20 X1/2IN HH DRILLED	4	35000063
9	NEXT GEN PUMP PRO ASSEMBLY KIT	1	34700883



BASE TOP VIEW PART ROTATED -22.5°  
(SHOWS PALLET JACK AND FORKLIFT ACCESS)

(all dimensions in inches)  
TANK PART#: 6360000S97402

120 GALLON NEXT GENERATION UN PREMIUM STD.