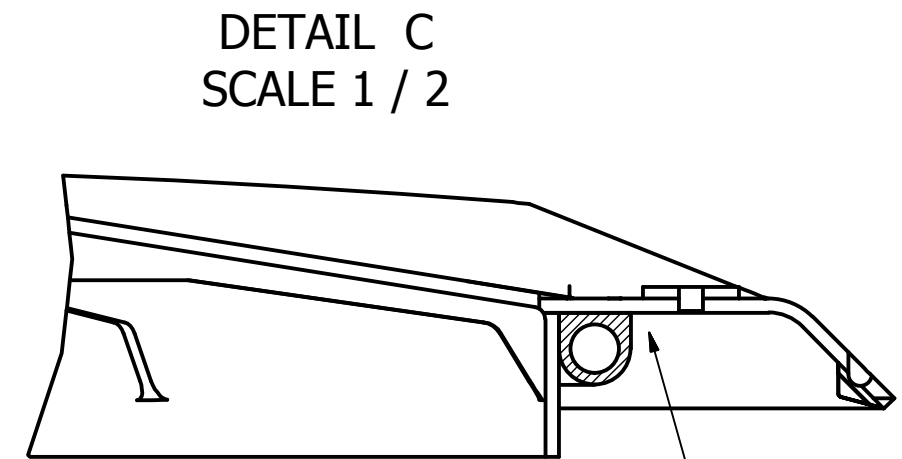
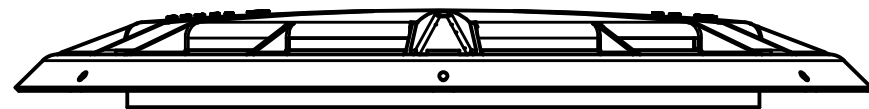



SECTION B-B
SCALE 1 / 6



DETAIL C
SCALE 1 / 2

INSTALL WITH FLAT PORTION
OF GASKET ATTACHED TO THE HORIZONTAL
FLAT SURFACE OF THE LID AS SHOWN



DRAWN Todd Bolzer	8/6/2012			
CHECKED		NORWESCO, INC. SAINT BONIFACIUS, MN		
QA		TITLE		
MFG		LP LID WITH GASKET		
APPROVED				
		SIZE B	DWG NO 63672	REV
		SCALE: 1/16	SHEET 1 OF 1	