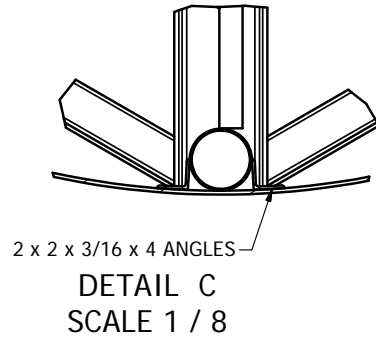
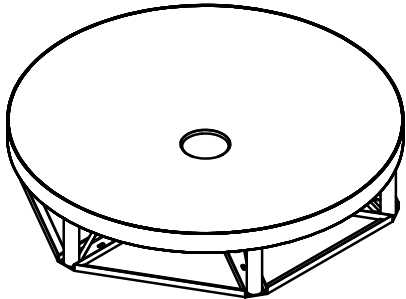
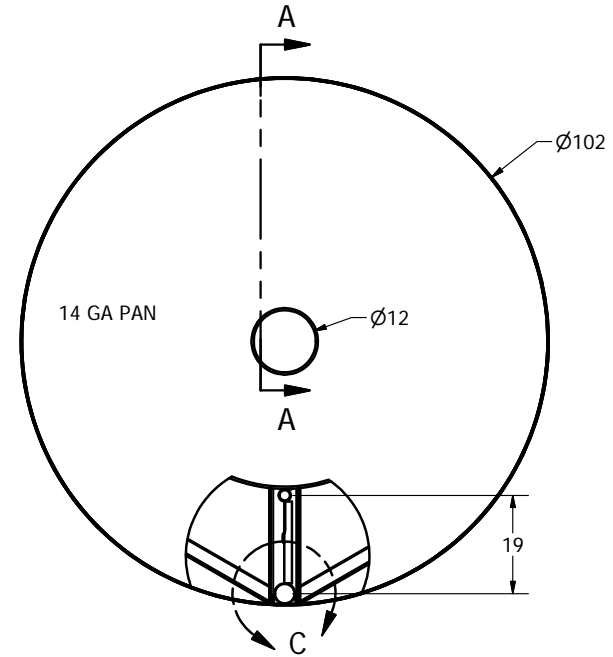
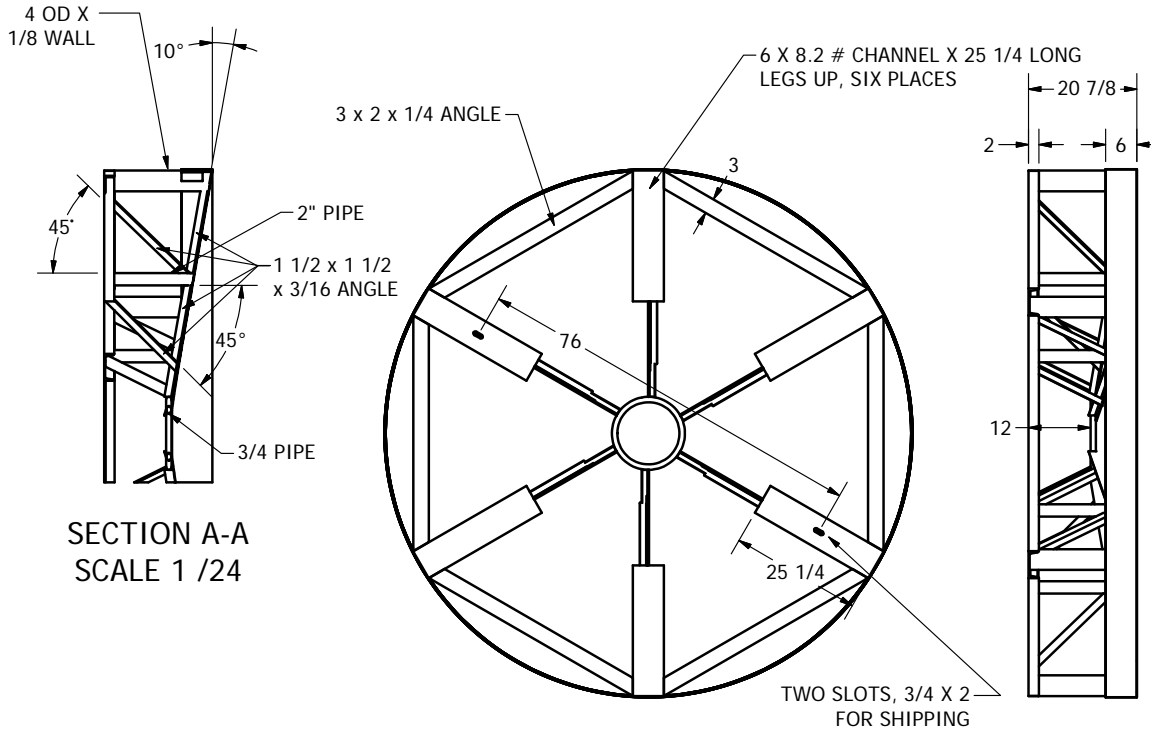


REV	DESCRIPTION	DATE	AUTHOR
A	WAS 4500/6000 X 102	2/3/2015	Jerry Paulson



FOB HANFORD, CA

DRAWN Jerry Paulson	7/22/2009	NORWESCO NORWESCO, INC., ST. BONIFACIUS, MN	
CHECKED		TITLE	
QA		BASE WELDMENT FOR 6000 X 102 X 10 DEG CONE BOTTOM TANK	
MFG		(A)	
APPROVED		SIZE B	REV A
		DWG NO 63675	
		SCALE: 1/24	SHEET 1 OF 1