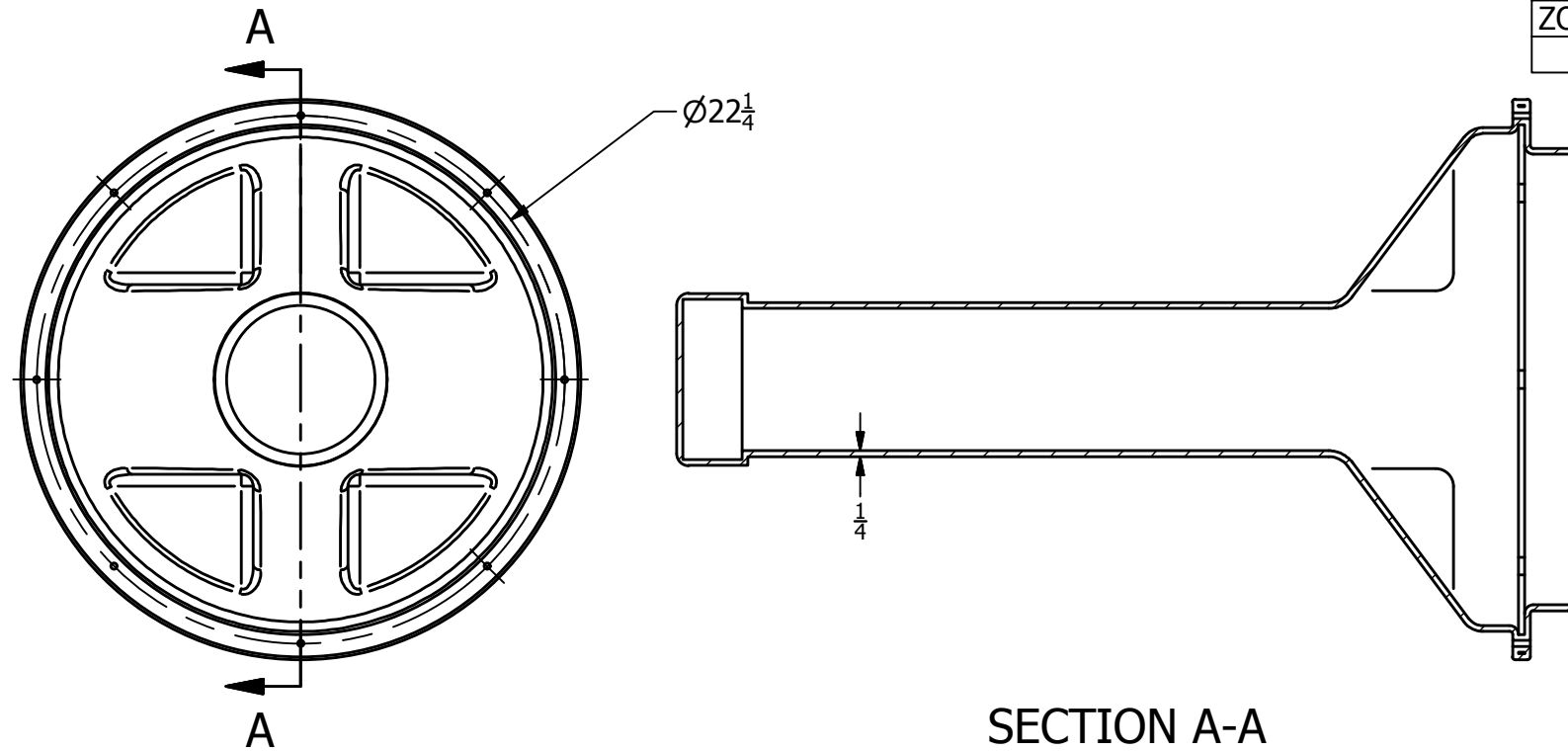
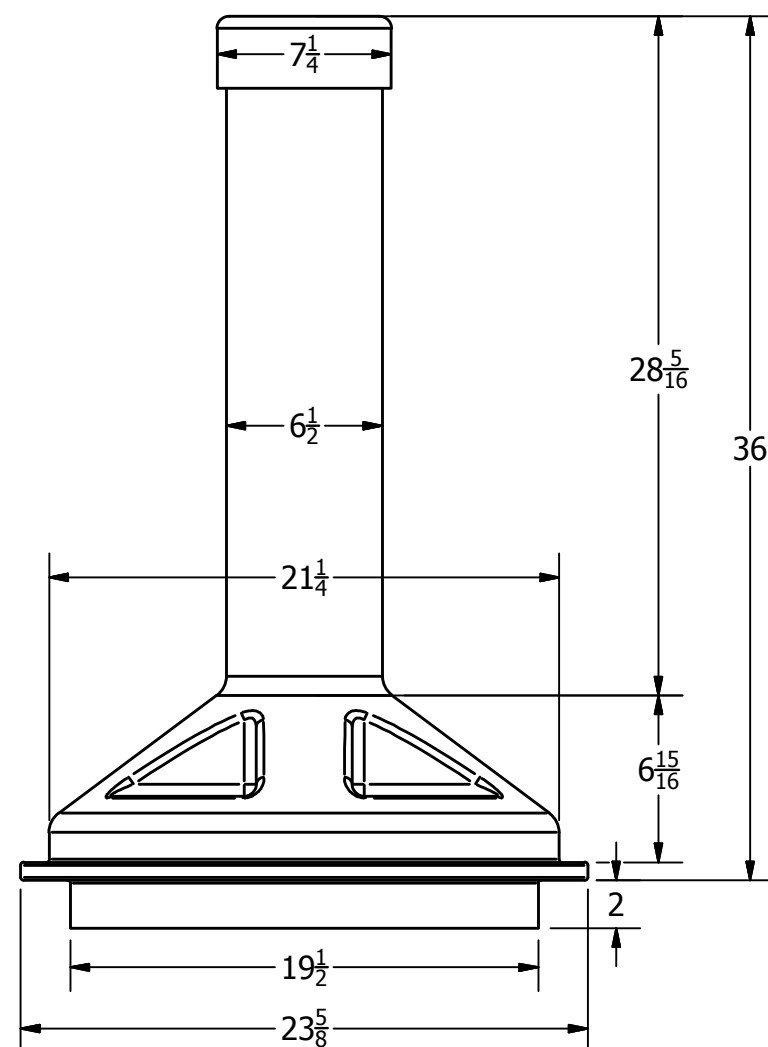
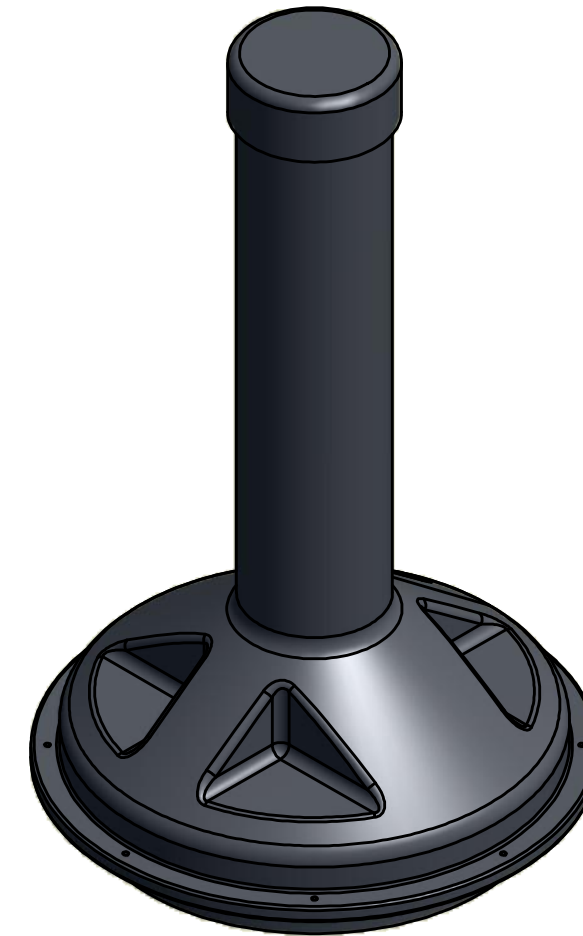



REVISION HISTORY				
ZONE	REV	DESCRIPTION	DATE	APPROVED



SECTION A-A
SCALE 1 / 8



DRAWN Todd Bolzer	9/21/2009	 NORWESCO, INC., ST. BONIFACIUS, MN		
CHECKED		TITLE		
QA		6 INCH LOW PROFILE LID RISER		
MFG				
APPROVED				
		SIZE B	DWG NO 63830	REV
		SCALE: 1/16	SHEET 1 OF 1	