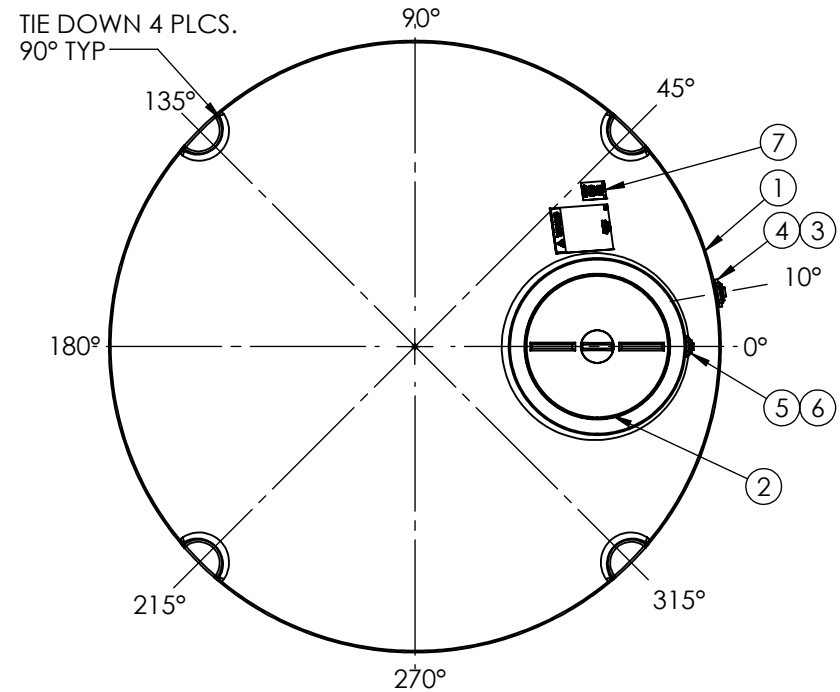
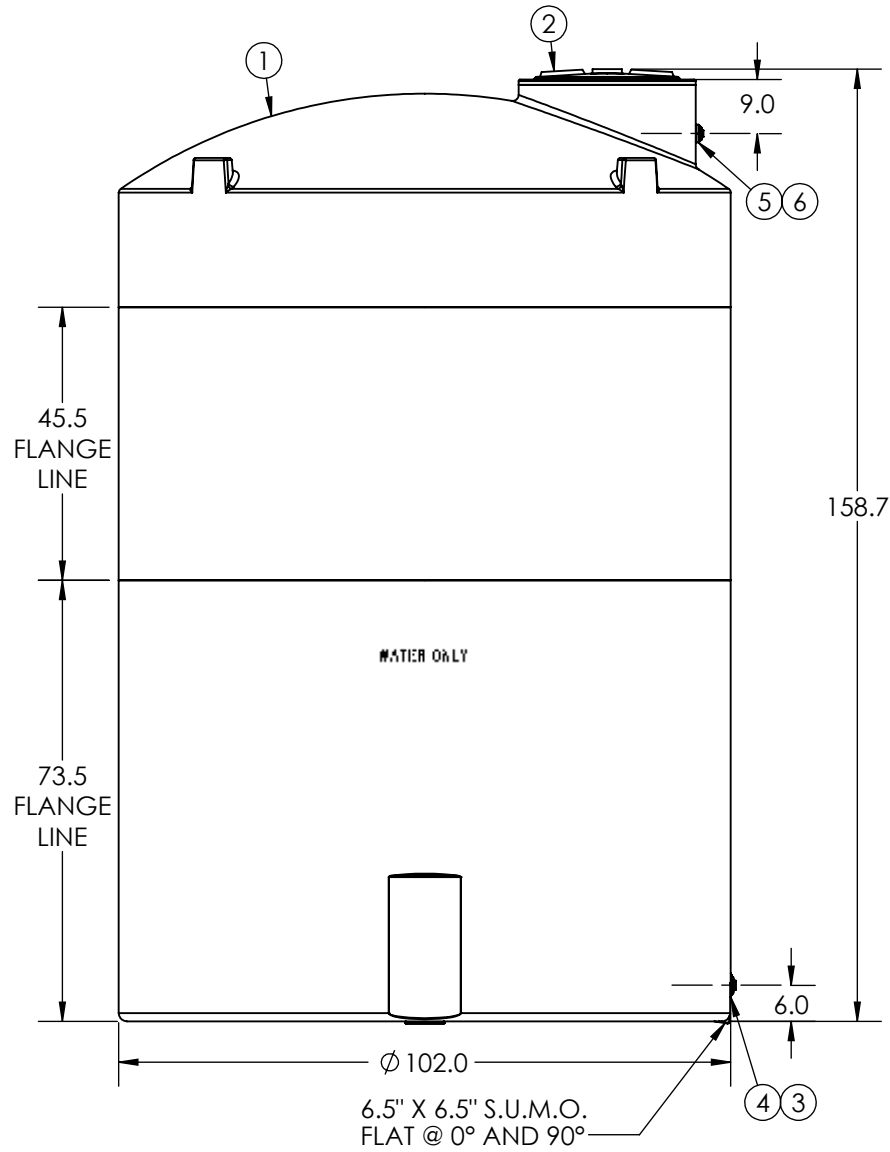


BLACK OR DARK OLIVE GREEN



| | | | |
|---|---|--------------|------------------------------------|
| 7 | 1 | 99700231 | DECAL NSF MARK - WATER TKS |
| 6 | 1 | 64149 | 1-1/2" NPT PLUG |
| 5 | 1 | 63931 | FTG PP 1-1/2IN ECO-BH EPDM TXT |
| 4 | 1 | 60405 | FTG PP 2IN BH EPDM TXT |
| 3 | 1 | 60021 | 2" NPT PLUG |
| 2 | 1 | 34700352 | ASM MANWAY PE 24IN VENTED |
| 1 | 1 | 7420100W__02 | ASM TK 5000VDT X 102 WATER NH NOMW |

| ITEM NO. | QTY. | PART NUMBER | DESCRIPTION |
|--|------|--------------------------------------|-----------------------------------|
| DO NOT SCALE | | DRAWN BY | REVISION |
| STATUS: Released | | SB | A |
| © SNYDER INDUSTRIES INC., 2016 | | | SHEET 1 OF 1 |
| | | | TITLE: ASM TK 5000VDT X 102 WATER |
| PART NO. 7420100W__03 | | ENG. ID. D006353 | |
| <small>ALL DIMENSIONS, DESIGNS, AND INFORMATION ON THIS PRINT MUST BE CONSIDERED PROPRIETARY TO SNYDER INDUSTRIES, INC. AND MAY NOT BE USED, COPIED, OR DISTRIBUTED WITHOUT WRITTEN PERMISSION OF AN OFFICER (OR HIS AGENT) OF THE FIRM.</small> | | (402) 467-5221 www.snyderinet.com | |

***ALL EXTERNAL PIPING MUST BE INDEPENDENTLY SUPPORTED.**
***ONLY BASE FITTINGS TO BE LEFT INSTALLED AT TIME OF SHIPMENT PER SII PROCEDURE.**
***Consult Snyder's Guidelines for Use and Installation prior to delivery.**
 Available on-line at <http://www.snyderindustriestanks.com/Technical>
ALL DIMENSIONS ARE IN INCHES, NOMINAL, & SUBJECT TO CHANGE WITHOUT NOTICE.
ALL DIMENSIONS ON ROTATIONAL MOLDED PARTS ARE SUBJECT TO A ± 3% TOLERANCE.