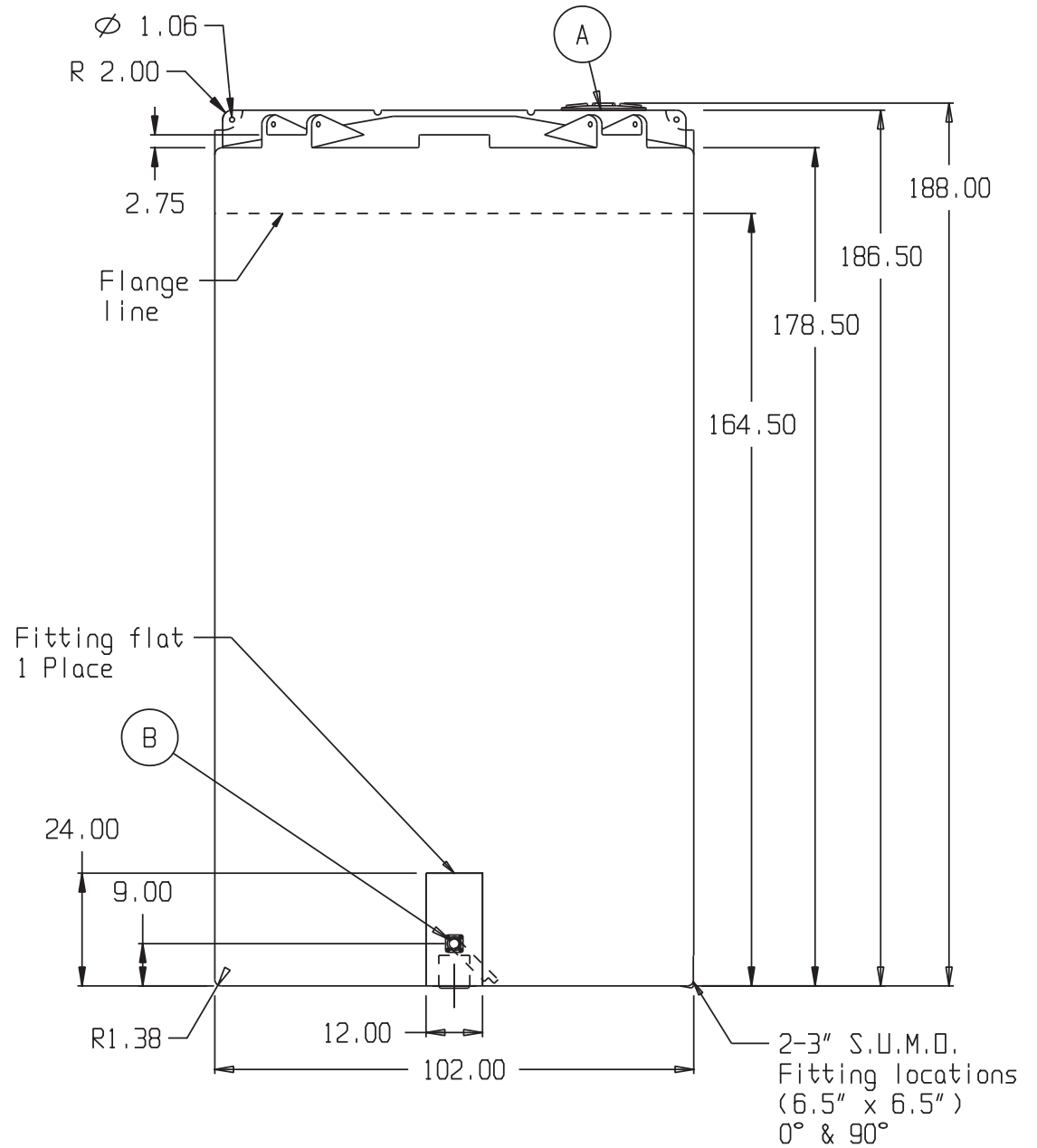
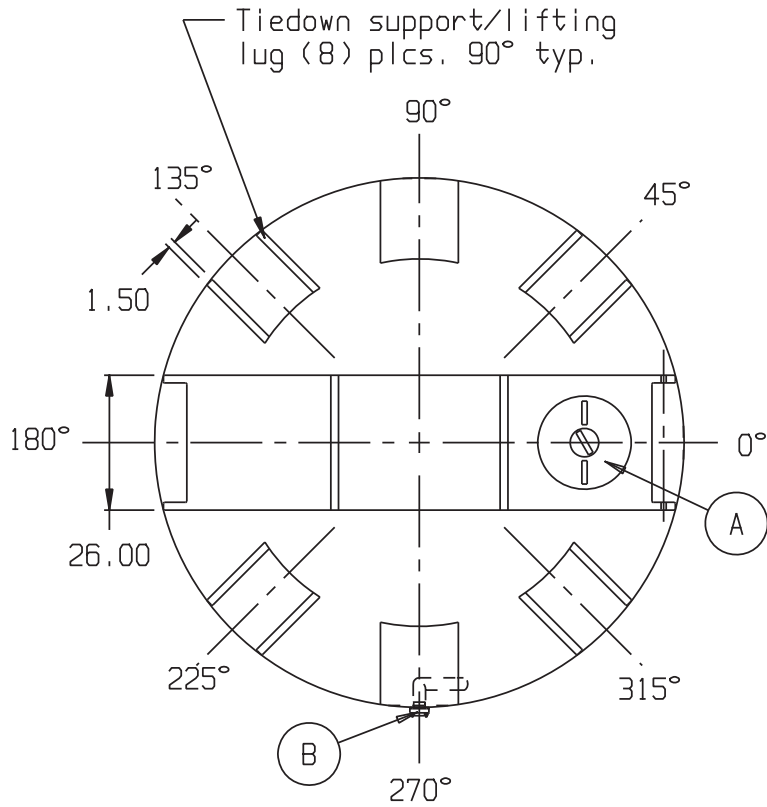


# WATER



A. 18" PE THREADED-VENTED MANWAY W/15" ACCESS  
[P/N 34700087]

B. 2" PP/PE BOLTED FTG SIPHON TUBE ASSY W/EPDM  
GASKETS & SS BOLTS [P/N 34700841]

\* BASE FITTINGS TO BE LEFT INSTALLED AT TIME OF SHIPMENT PER SII PROCEDURE

\* Consult Snyder's Guidelines for Use and Installation prior to delivery.

Available on-line at [www.snydernet.com](http://www.snydernet.com)

(all dimensions in inches)

PART # TANK: 7430000W94302 (L)  
HDLPE/NAT/WATER

## 6,000 GALLON FLAT BOTTOM WATER TANK

REF#: 0000

04/12/07

SNYDER INDUSTRIES INC.