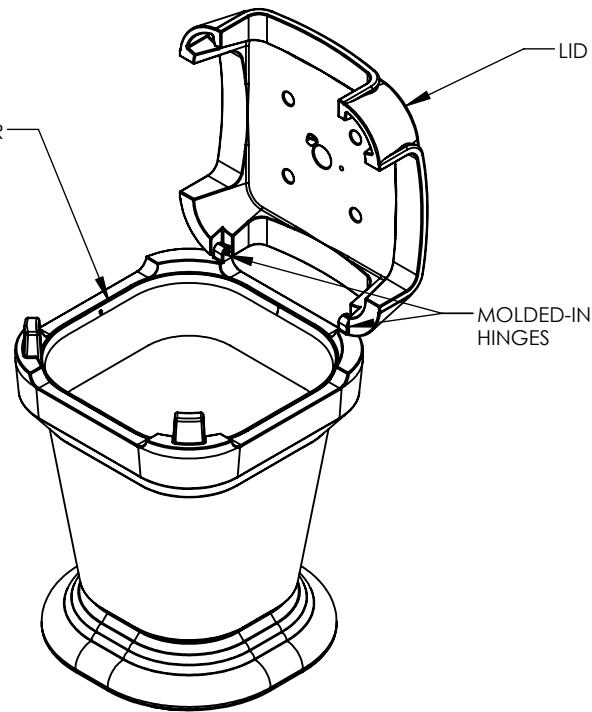
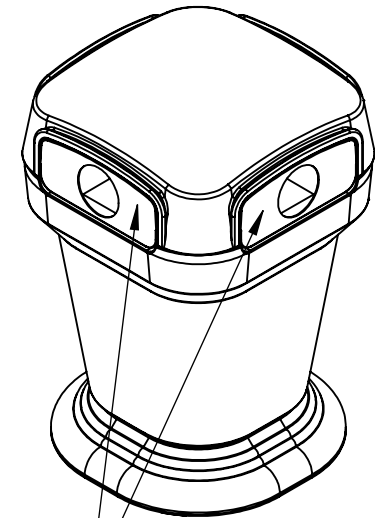


OPTIONAL BAG HOLDER

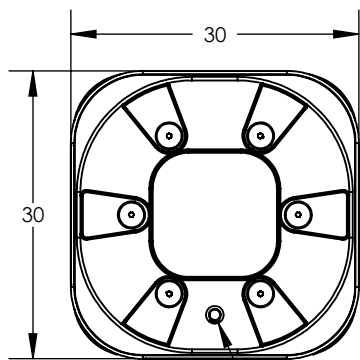


LID DESIGNED FOR MANUAL COLLECTION

MOLDED-IN HINGES



OPTIONAL RECYCLING SLOTS ON ALL FOUR SIDES



WEIGHT FILLING AREA, UP TO 70 LBS. OF SAND

FULL ASSEMBLY WEIGHT (LBS.)		65
WEIGHT CAPACITY (LBS.)		50
SHIPPING QUANTITY PER PALLET		2
DO NOT SCALE	DRAWN BY	REVISION
STATUS: Released	IS	A
© SNYDER INDUSTRIES INC., 2015		TITLE: 58 GALLON ECO-TAINER PLR
ALL DIMENSIONS, DESIGNS, AND INFORMATION ON THIS PRINT MUST BE CONSIDERED PROPRIETARY TO SNYDER INDUSTRIES, INC. AND MAY NOT BE USED, COPIED, OR DISTRIBUTED WITHOUT WRITTEN PERMISSION OF AN OFFICER (OR HIS AGENT) OF THE FIRM.		PART NO. 7800400E
(402) 467-5221 www.snydernet.com		ENG. ID. D002917

ALL DIMENSIONS ARE IN INCHES, NOMINAL, & SUBJECT TO CHANGE WITHOUT NOTICE.
ALL DIMENSIONS ON ROTATIONAL MOLDED PARTS ARE SUBJECT TO A ± 3% TOLERANCE.