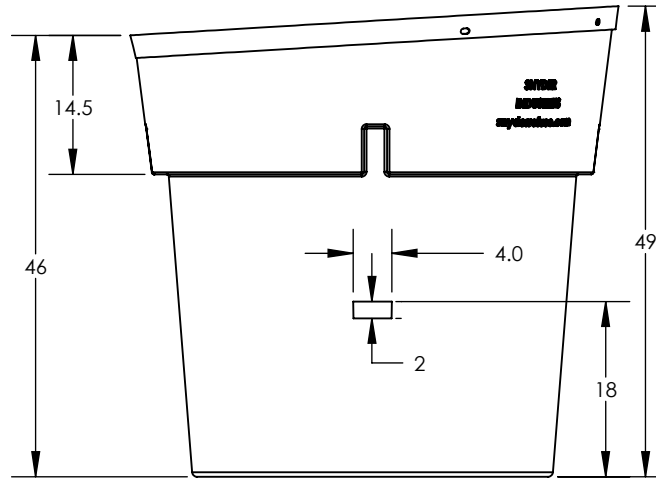
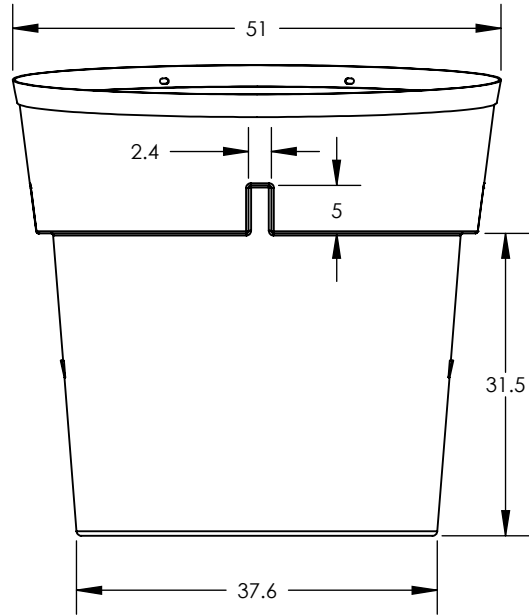
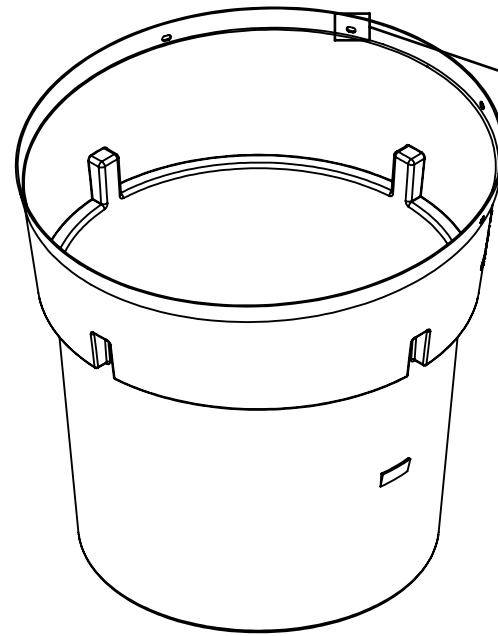


	HDPE	XLPE
CAN WEIGHT (LBS.)	65	65
WEIGHT CAPACITY (LBS.)	500	500
VOLUME (GALLONS)	300	300
NOMINAL THICKNESS (IN)	0.200	0.200
MINIMUM COMPRESSION FORCE (LBS.)	200	200
PALLET SHIPPING QUANTITY	10	10
PREDRILLED LID HOLES	4	4



ALL DIMENSIONS ARE IN INCHES, NOMINAL, & SUBJECT TO CHANGE WITHOUT NOTICE.
ALL DIMENSIONS ON ROTATIONAL MOLDED PARTS ARE SUBJECT TO A \pm 3% TOLERANCE.

DO NOT SCALE		DRAWN BY	TITLE:	REVISION
STATUS:	Released	TS	CAN 300G CNTR	B
© SNYDER INDUSTRIES INC., 2015			PART NO.	SHEET
ALL DIMENSIONS, DESIGNS, AND INFORMATION ON THIS PRINT MUST BE CONSIDERED PROPRIETARY TO SNYDER INDUSTRIES, INC. AND MAY NOT BE USED, COPIED, OR DISTRIBUTED WITHOUT WRITTEN PERMISSION OF AN OFFICER (OR HIS AGENT) OF THE FIRM.			7801000E	1 OF 1
www.snydernet.com		(402) 467-5221	ENG. ID.	D002190