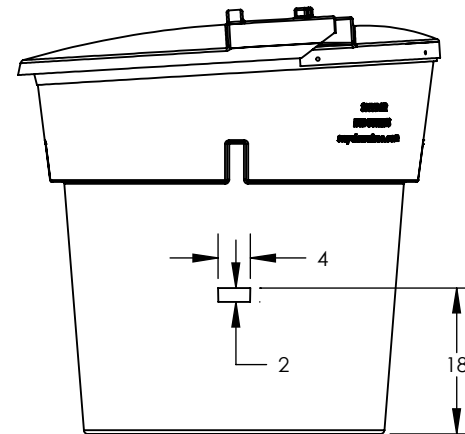
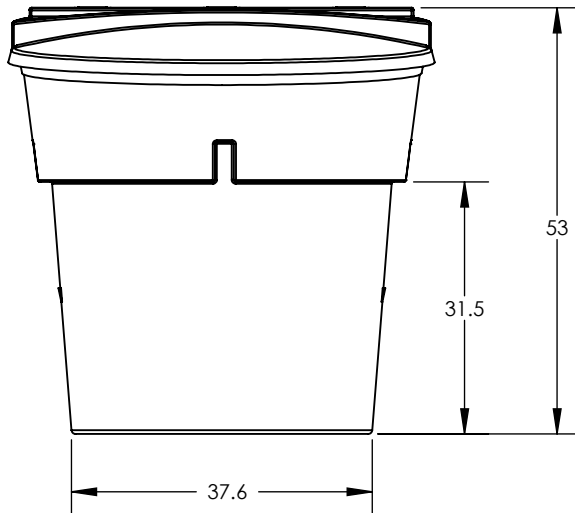
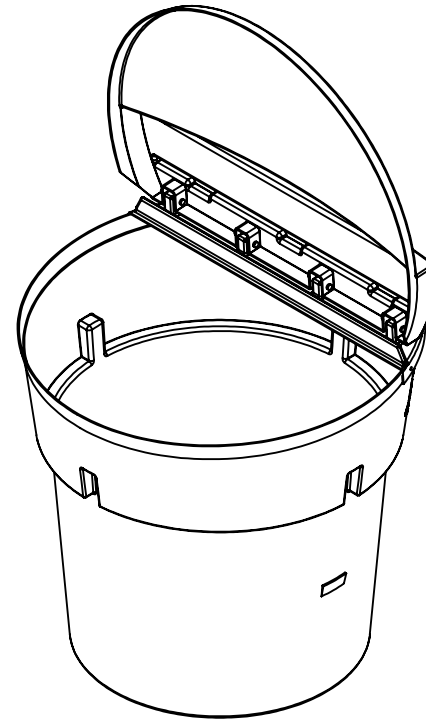


	HDPE	XLPE
CAN WEIGHT (LBS.)	65	65
FULL ASSEMBLY WEIGHT (LBS.)	90	90
WEIGHT CAPACITY (LBS.)	500	500
VOLUME (GALLONS)	300	300
NOMINAL THICKNESS (IN)	0.200	0.200
MINIMUM COMPRESSION FORCE (LBS.)	200	200
PALLET SHIPPING QUANTITY	10	10
PREDRILLED LID HOLES	4	4



ALL DIMENSIONS ARE IN INCHES, NOMINAL, & SUBJECT TO CHANGE WITHOUT NOTICE.
 ALL DIMENSIONS ON ROTATIONAL MOLDED PARTS ARE SUBJECT TO A ± 3% TOLERANCE.

DO NOT SCALE	DRAWN BY	DATE		TITLE:	REVISION
STATUS: Released	TS	06/12/2014		CAN 300G CNTR LARGE 70/30 LID	A
© SNYDER INDUSTRIES INC., 2014			4700 Fremont Street Lincoln, NE 68504 (402) 467-5221 www.snydernet.com	PART NO.	ENG. ID.
				7801000E	A002460
					SHEET 1 OF 1