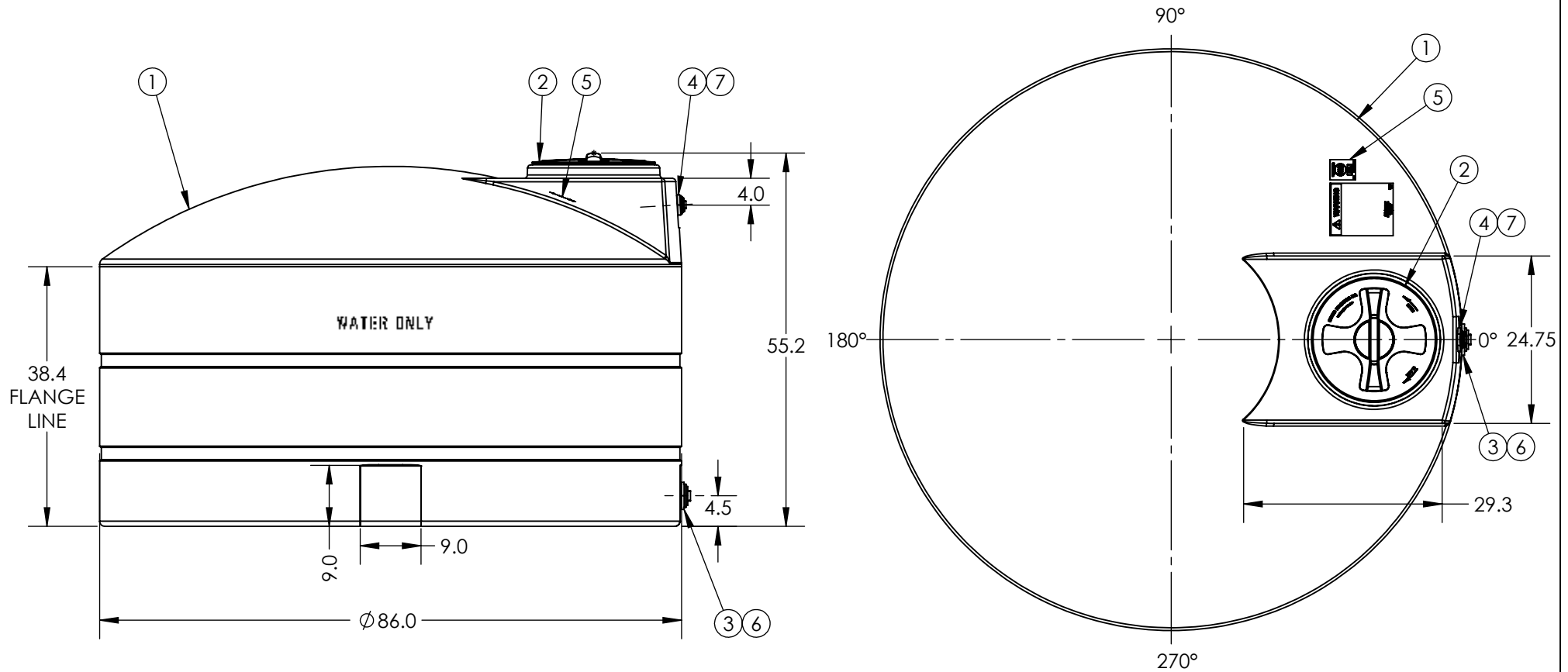



BLACK OR DARK GREEN OLIVE



7	1	64149	1-1/2" NPT PLUG
6	1	60021	2" NPT PLUG
5	1	99700231	DECAL NSF MARK - WATER TKS
4	1	63931	FTG PP 1-1/2IN ECO-BH EPDM TXT
3	1	60405	FTG PP 2IN BH EPDM TXT
2	1	34700087	ASM MANWAY 18IN PE W/4IN VENT W/TIE SII
1	1	8120000W__02	ASM TK 1100VDT X 86 WATER NOMW NH

ITEM NO.	Default /QTY.	PART NUMBER	DESCRIPTION	
DO NOT SCALE		DRAWN BY	TITLE:	
Released		BH	 ASM TK 1100VDT X 86 WATER 18MW	
© SNYDER INDUSTRIES INC., 2016		PART NO.		REVISION
ALL DIMENSIONS, DESIGNS, AND INFORMATION ON THIS PRINT MUST BE CONSIDERED PROPRIETARY TO SNYDER INDUSTRIES, INC. AND MAY NOT BE USED, COPIED, OR DISTRIBUTED WITHOUT WRITTEN PERMISSION OF AN OFFICER (OR HIS AGENT) OF THE FIRM.		(402) 467-5221 www.snydernet.com		B SHEET 1 OF 1
		8120000W__03		D006418

*ALL EXTERNAL PIPING MUST BE INDEPENDENTLY SUPPORTED.
 *ONLY BASE FITTINGS TO BE LEFT INSTALLED AT TIME OF SHIPMENT PER SII PROCEDURE.
 ALL DIMENSIONS ARE IN INCHES, NOMINAL, & SUBJECT TO CHANGE WITHOUT NOTICE.
 ALL DIMENSIONS ON ROTATIONAL MOLDED PARTS ARE SUBJECT TO A ± 3% TOLERANCE.